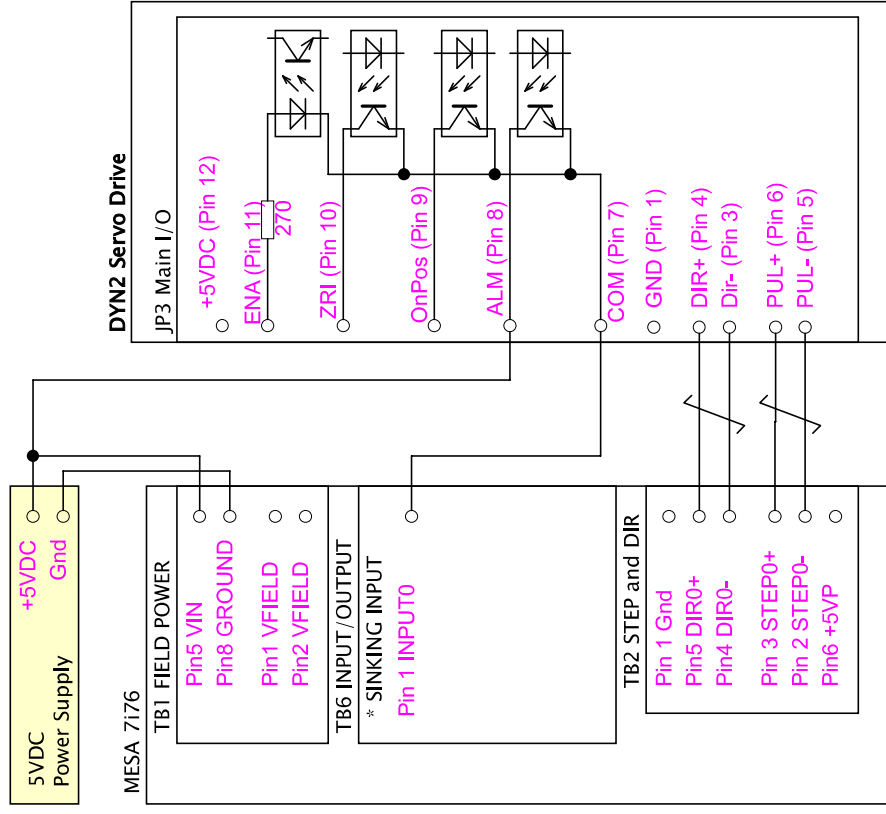
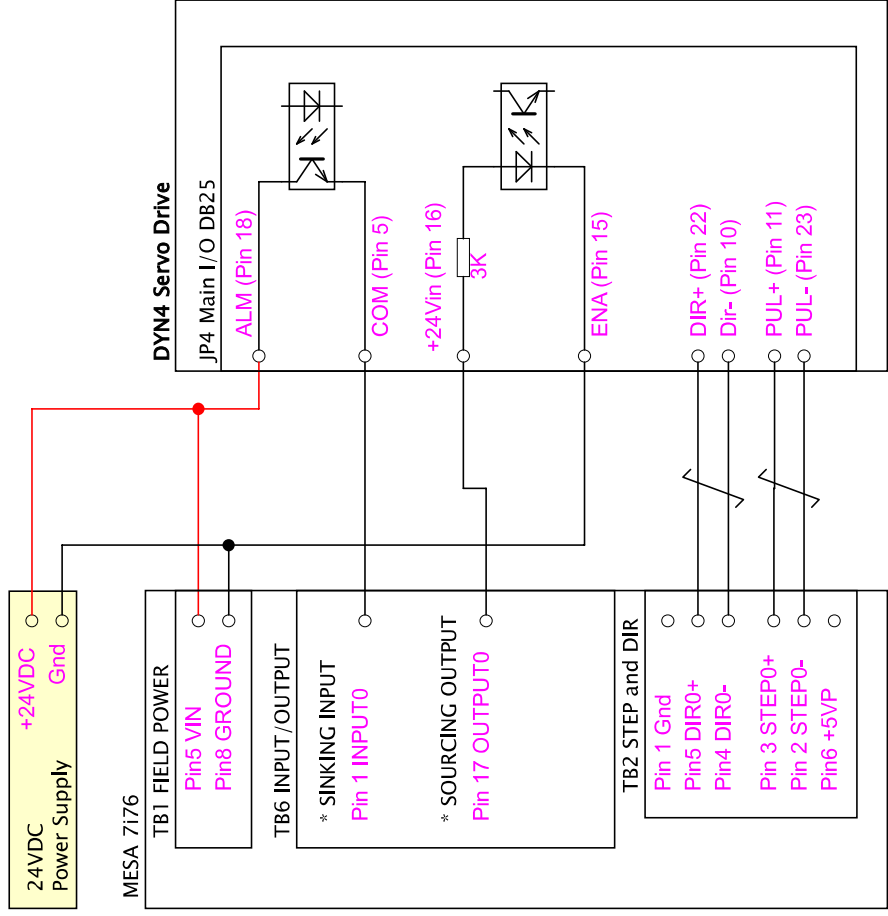



Note:

- Servo drive enable logic default is active high/enabled when high
- Servo drive alarm is active low, output is low when servo drive fault/alarm
- Set servo drive to PULSE/DIR command input mode, position servo mode



7i77 Reference: <http://www.mesanet.com/pdf/parallel/7i76man.pdf>

Document#  
dyn2-4\_7i76\_V1.0  
Version 1.0

Responsible dep.	Technical reference	Created	Approved
		Document type	Document status
		Title, supplementary title	Rev.
		Scale	
		Lang.	Sheet
		Date of issue	2017/4/4
			1/1