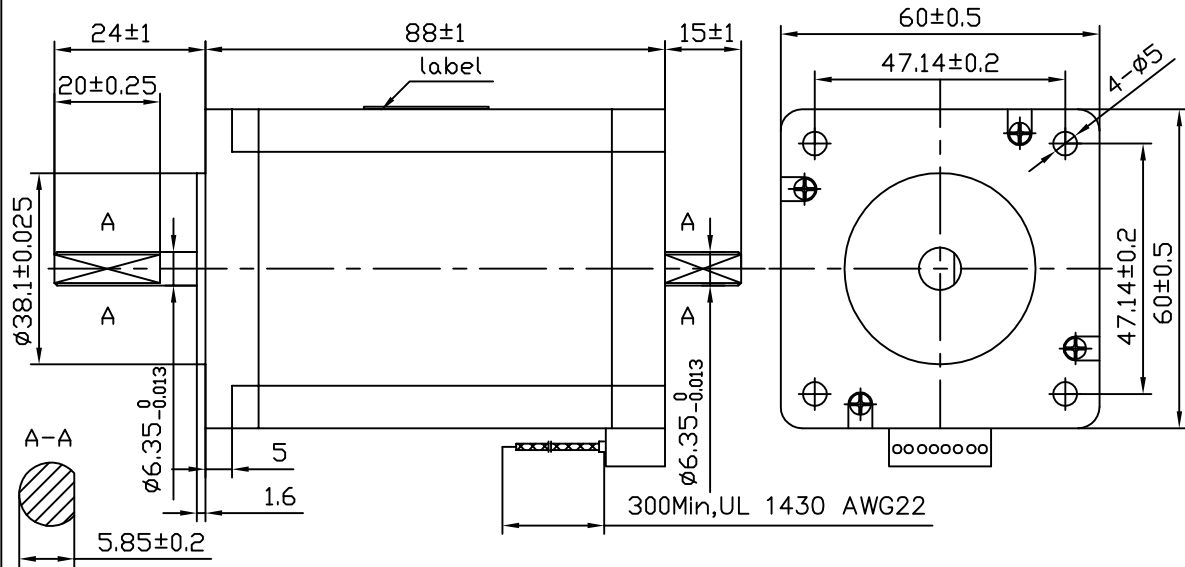


# Hybrid Stepper Motor

KL23H286-20-8B

UNIT=MM:



CONNECTION STYLE	STEP ANGLE	RATED VOLTAGE	CURRENT	RESISTANCE	INDUCTANCE	HOLDING TORQUE	ROTOR INERTIA	WEIGHT
	DEG /STEP	V	A	$\Omega$	mH	OZ-IN	gcm <sup>2</sup>	Kg
Unipolar	1.8	6.0	2.0	3.0	6.8	305	840	1.4
Parallel		4.17	2.8	1.5	6.8	425		
Series		8.4	1.4	6.0	27.2	425		

