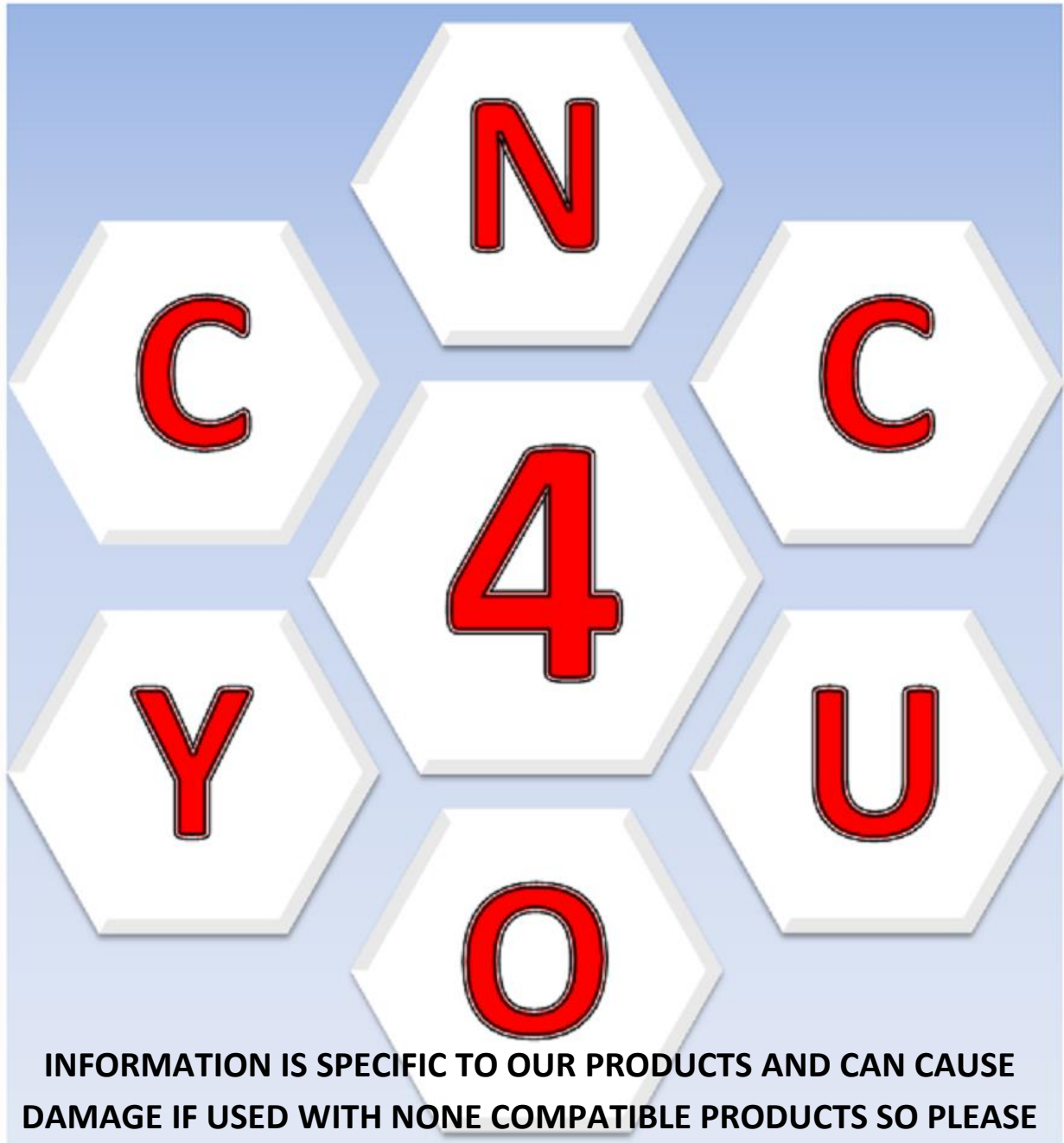


3.1Nm Stepper Motor



**INFORMATION IS SPECIFIC TO OUR PRODUCTS AND CAN CAUSE
DAMAGE IF USED WITH NONE COMPATIBLE PRODUCTS SO PLEASE
CHECK WITH YOUR SUPPLIER FOR COMPATIBILITY**

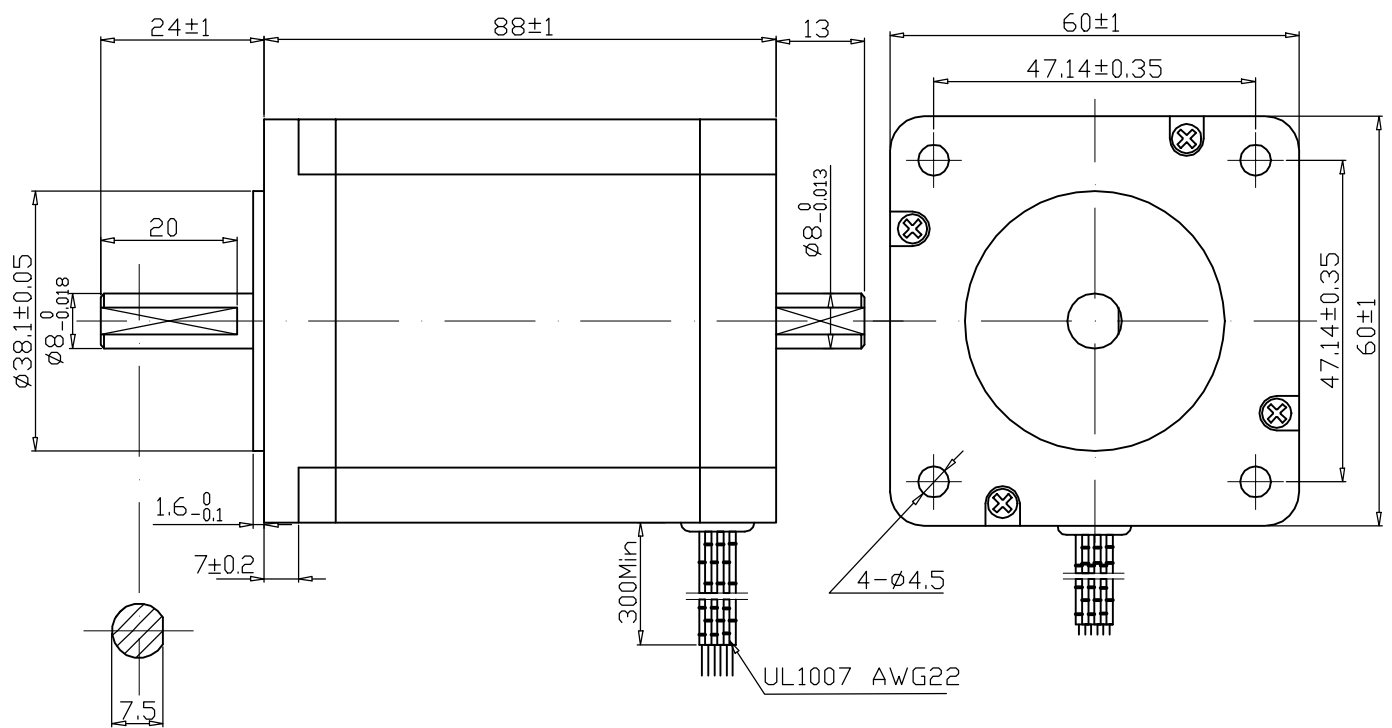
These drawings are supplied as a guide no guarantees are implied or given.
Caution when wiring and check with a qualified professional if unsure.
Documentation will be updated amended at the discretion of CNC4YOU Ltd.

© CNC4YOU LTD ALL RIGHTS RESERVED

SPECIFICATIONS MODEL 60BYG301B

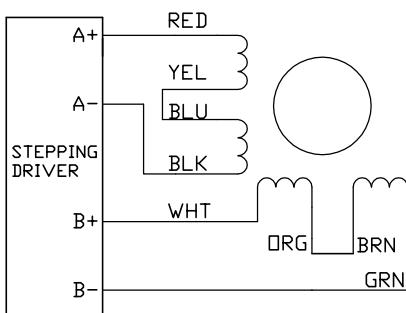
PHASE	STEP ANGLE	CONNECTION TYPE	CURRENT	RESISTANCE	INDUCTANCE	HOLDING TORQUE		VOLTAGE	WEIGHT
	DEG/STEP					Nm	oz in		
		7	AMPS	ohms $\pm 10\%$	mH $\pm 20\%$			VOLTS	KG
2	1.8	PARALLEL	4.2	0.65	3.2	3.1	439	2.73V	1.4
2		SERIES	2.1	2.6	12.8	3.1	439	5.46V	
4		UNIPOLAR	3	1.3	3.2	2.2	311	3.90V	

DIMENSION: Units:mm

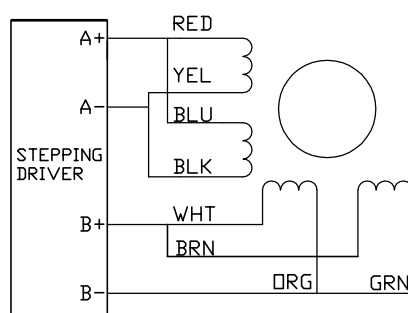


WIRING DIAGRAM

Bipolar Series



Bipolar Parallel



Unipolar

