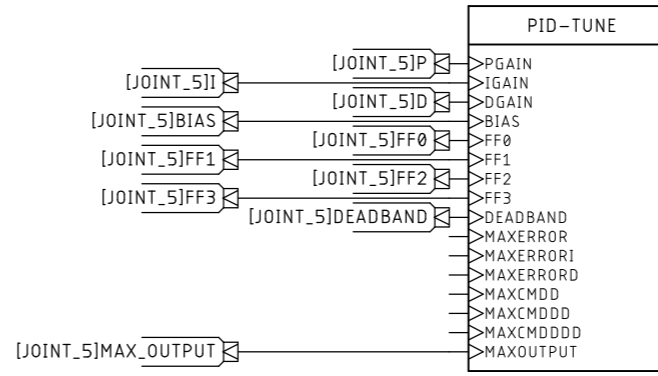


SPINDLE ORIENT TUNING PARAMETERS



- Signal/wire Label connects to the same label on this page. The so called "air wire".
 Off page labels will have a sheet number and x-y coordinates
- - - - - BIT/BOOL SIGNAL/WIRE
 - _____ U32, S32, FLOATING POINT, SIGNAL/WIRE
 - ┌─── BIT/BOOL PIN
 - └─── Parameter pin
 - ▭ Constant value
 - ▭ Parameter value