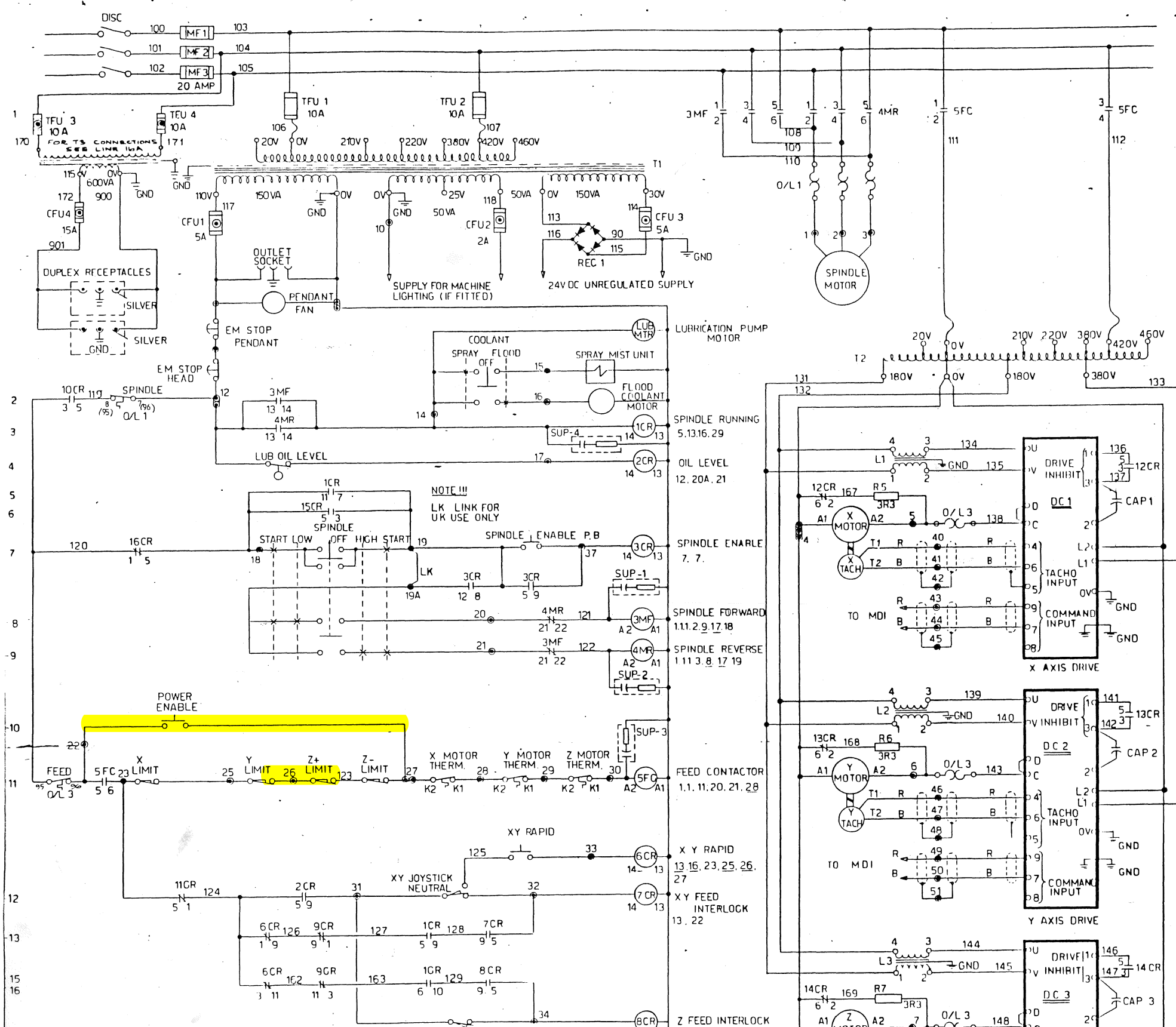


NEAR SHARP CORNERS UNLESS OTHERWISE STATED
 0 NOT SCALE



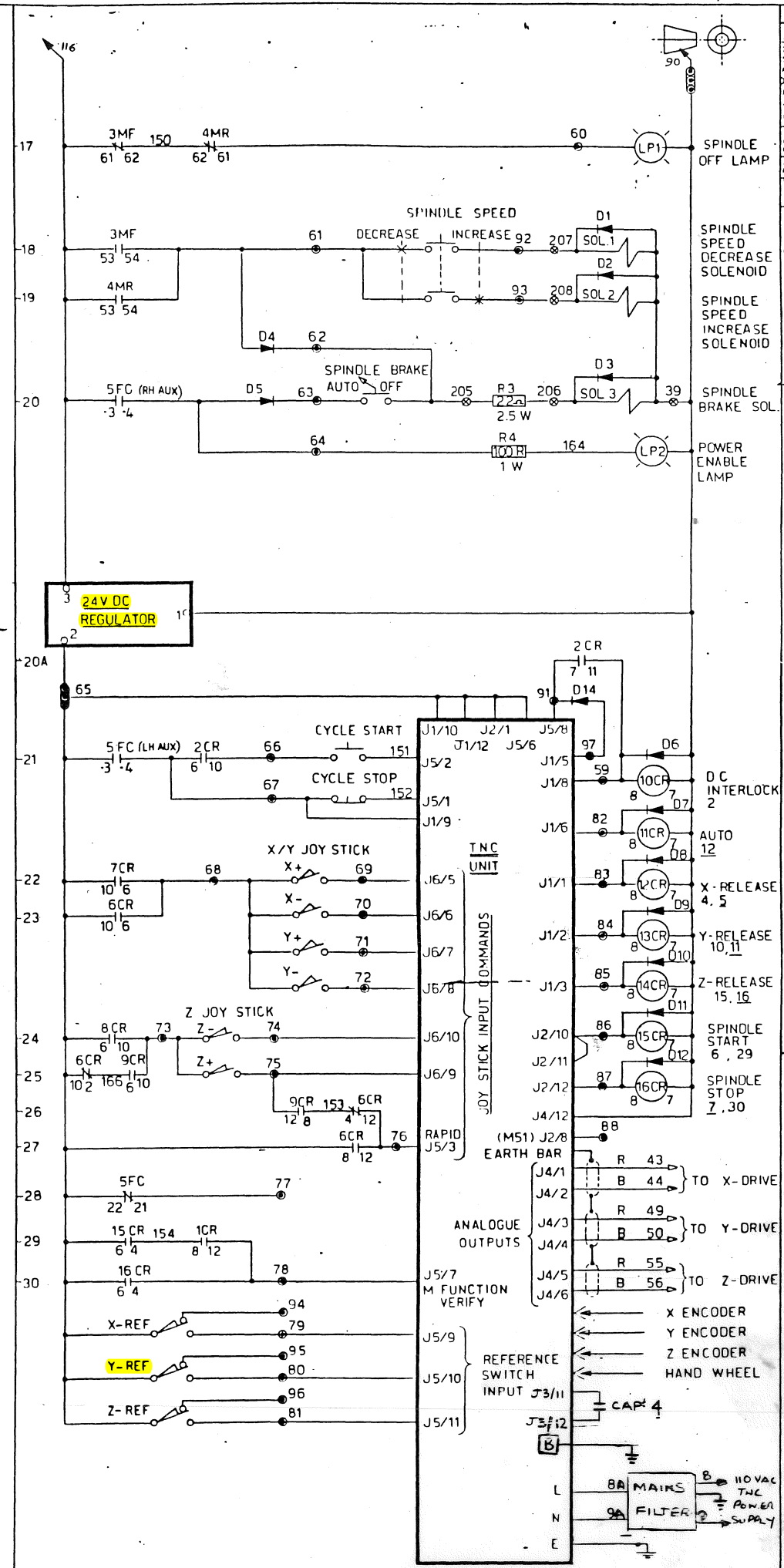
- NOTES III**
- ELECTRICAL CABLE TERMINALS
 - SPINDLE PNEUMATIC MANIFOLD TERMINALS

SPARE TERMINAL AND WIRE NOS.

| | |
|-----------------------|----------------------|
| AC | 13, 38, 39 |
| DC | 58, 89, 99, 100, 159 |
| LAST WIRE NO USED 169 | |

ALTERNATIVE T3 CONNECTIONS

| VOLTS | SINGLE PRIMARY | | | DUAL PRIMARY | | |
|-------|----------------|----------|------|--------------|----------|---------|
| | WIRE 170 | WIRE 171 | LINK | WIRE 170 | WIRE 171 | LINK |
| 208V | 0 | 210 | — | 2 | 3 | 2-5/3-6 |
| 230V | 20 | 210 | — | 1 | 3 | 1-4/3-6 |
| 440V | 0 | 440 | — | 3 | 5 | 1-6 |
| 460V | 20 | 440 | — | 3 | 4 | 1-6 |



NOTES

ISSUE B (ECON 4447)
 SCREENS LINKED TO EARTH BAR.
 SCREEN LINKS REMOVED FROM DC1, DC2, DC3.
 PENDANT FAN ATTACHED.
 GS 22-1-87

ISSUE C
 ONLY TERM MOD DD 2-12-86

ISSUE D
 SILENT ALTERNATIVE T3 CONNECTIONS
 ADDRESS CAR 30-1-87

ISSUE E
 5466
 CAPACITOR ADDED BETWEEN J3/11 AND J3/12
 MAINS FILTER ADDED TO T.C SUPPLY
 4/11/87 CJB

| | | | | | | | |
|--|---|----------|-----------|-------------------|------|------|--------|
| TOLERANCES ± 0.4mm UNLESS OTHERWISE STATED | MATERIAL | QUANTITY | SCALE | DRAWN | GUMM | DATE | APR 85 |
| Dr. J. G. B. PART | SCHEMATIC DIAGRAM | | PART No. | | | | |
| MACHINE | SERIES I INTRACT (USA) MILLING MACHINE (TNC151) | | DRWG. No. | 879-121 (ISSUE E) | | | |