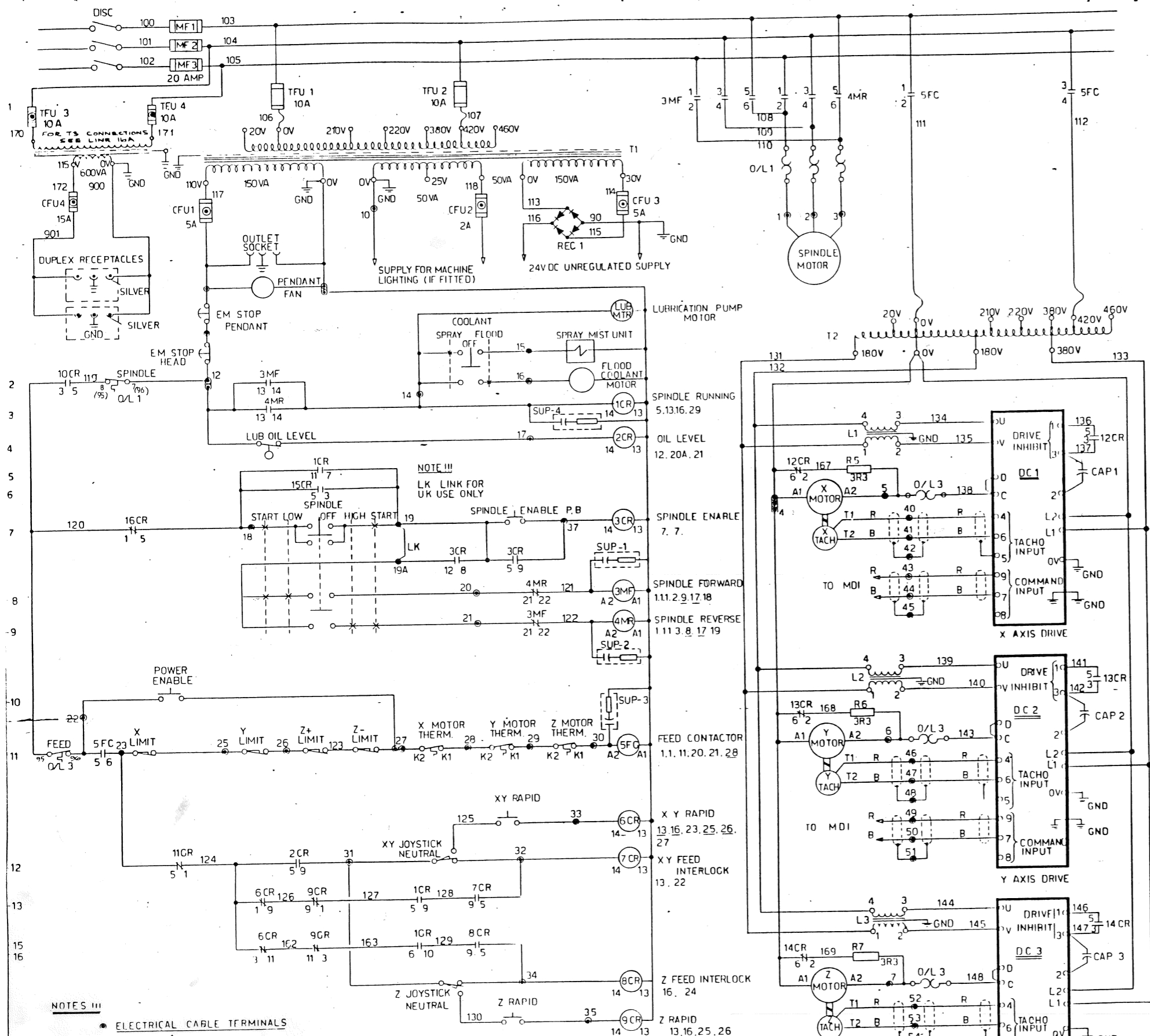


PEAK SHARP CORNERS UNLESS OTHERWISE STATED  
 10 NOT SCALE



- NOTES III**
- ELECTRICAL CABLE TERMINALS
  - ⊗ SPINDLE PNEUMATIC MANIFOLD TERMINALS

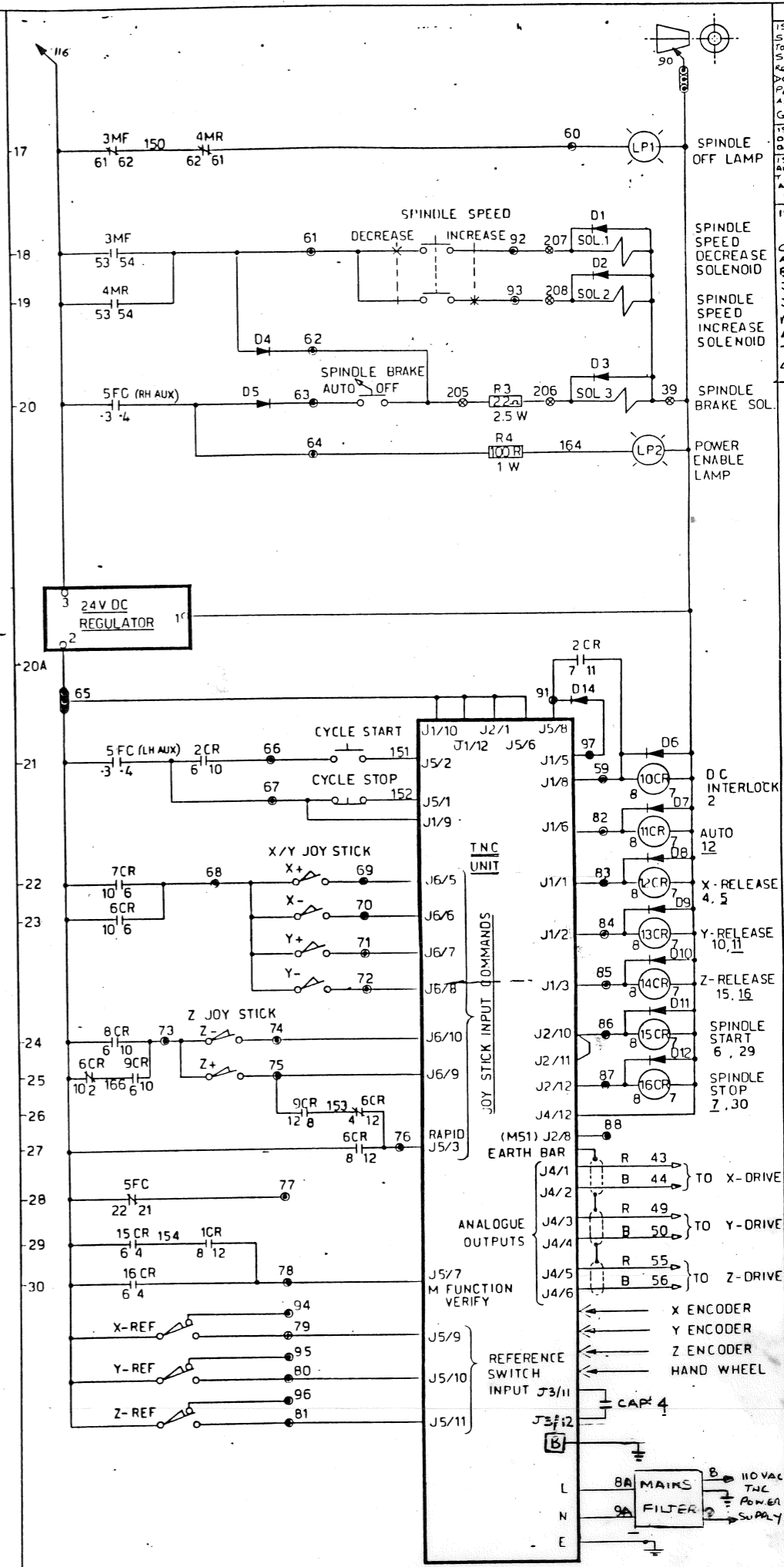
SPARE TERMINAL AND WIRE NO.:

AC 13, 38, 39  
 DC 58, 89, 99, 100, 159

LAST WIRE NO. USED 169

ALTERNATIVE T3 CONNECTIONS

VOLTS	SINGLE PRIMARY			DUAL PRIMARY		
	WIRE 170	WIRE 171	LINK	WIRE 170	WIRE 171	LINK
208V	0	210	—	2	3	2-5/3-6
230V	20	210	—	1	3	1-4/3-6
440V	0	440	—	3	5	1-6
460V	20	440	—	3	4	1-6



**NOTES**

ISSUE B (EN 447)  
 SCREENS LINKED TO EARTH BAR.  
 SCREEN LINKS REMOVED FROM DC1, DC2, DC3, PENDANT FAN ADDED.  
 GB 22-8-85

ISSUE C  
 OIL THERM AND OIL THERM AD 3-12-86

ISSUE D 5262  
 ALTERNATIVE T3 CONNECTIONS  
 ADDED LAMP 30-1-87

ISSUE E  
 5466  
 CAPACITOR ADDED BETWEEN J3/11 AND J3/12  
 MAINS FUSE ADDED TO TNC SUPPLY  
 4/11/87 C38

TOLERANCES ± 0.4mm UNLESS OTHERWISE STATED	MATERIAL	QUANTITY	SCALE	DRAWN	GB/MM	DATE
Bridgeport	PART	SCHEMATIC DIAGRAM				APR 85
	MACHINE	SERIES I INTRACT (USA) MILLING MACHINE (TNC 151)				