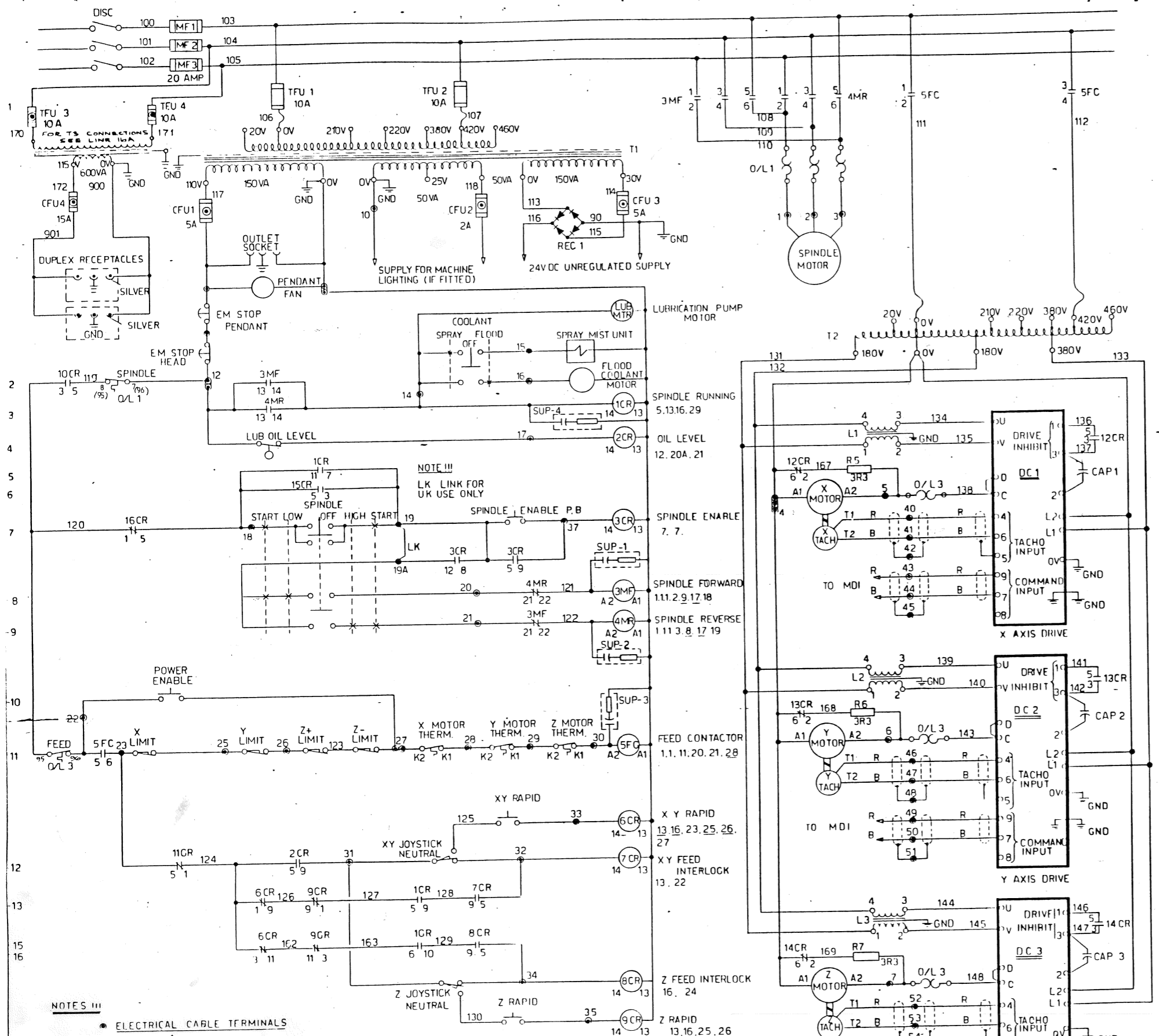


PEAK SHARP CORNERS UNLESS OTHERWISE STATED
 10 NOT SCALE



- NOTES III**
- ELECTRICAL CABLE TERMINALS
 - ⊗ SPINDLE PNEUMATIC MANIFOLD TERMINALS

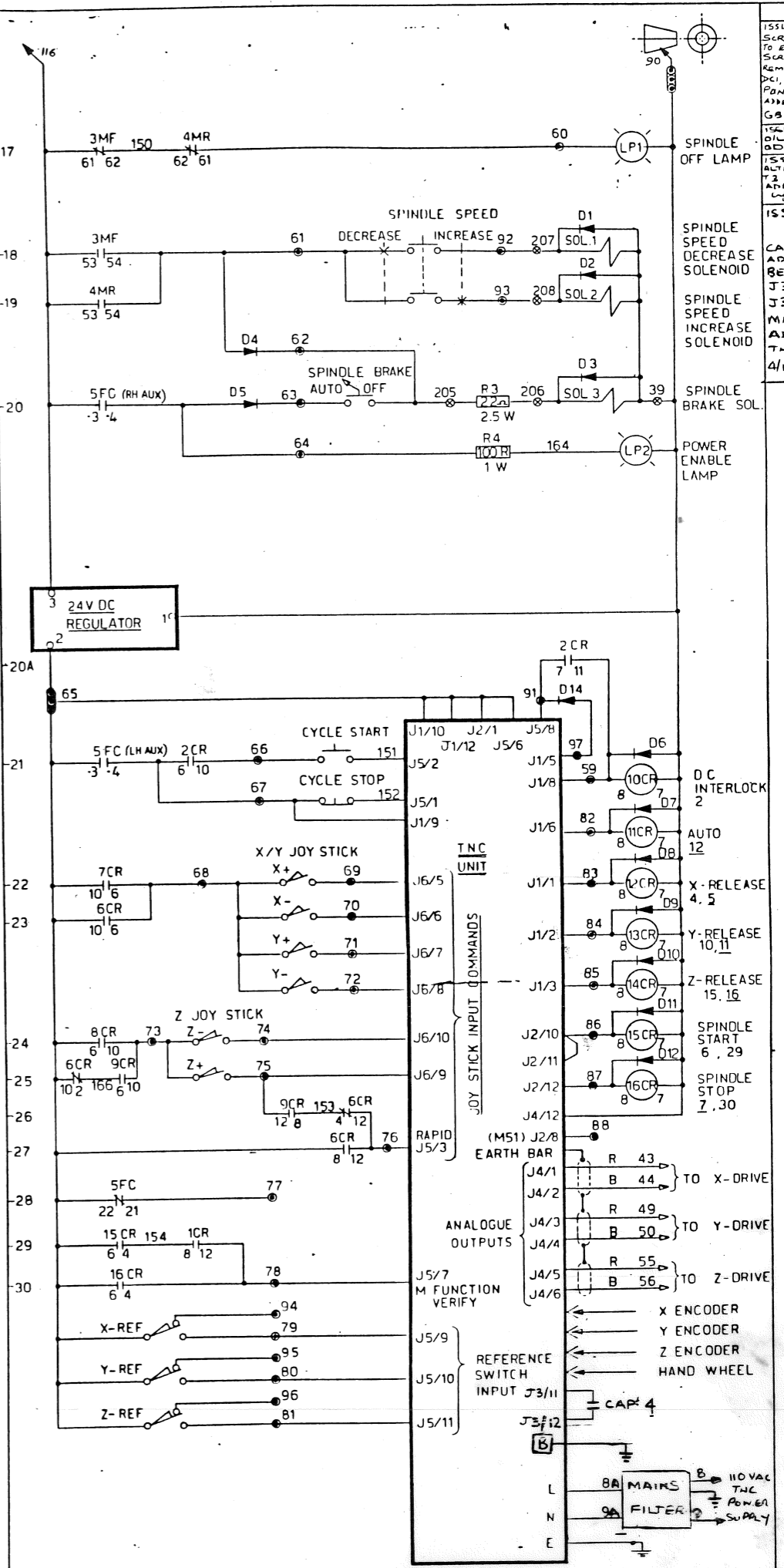
SPARE TERMINAL AND WIRE NO. 2

AC 13, 38, 39
 DC 58, 89, 99, 100, 159

LAST WIRE NO USED 169

ALTERNATIVE T3 CONNECTIONS

VOLTS	SINGLE PRIMARY			DUAL PRIMARY		
	WIRE 170	WIRE 171	LINK	WIRE 170	WIRE 171	LINK
208V	0	210	—	2	3	2-5/3-6
230V	20	210	—	1	3	1-4/3-6
440V	0	440	—	3	5	1-6
460V	20	440	—	3	4	1-6



NOTES

ISSUE B (EN 447)
 SCREENS LINKED TO EARTH BAR.
 SCREEN LINKS REMOVED FROM DC1, DC2, DC3, PENDANT FAN ADDED.
 GB 22-1-85

ISSUE C
 OIL THERM MDL 3-12-86

ISSUE D S262 ALTERNATIVE T3 CONNECTIONS ADDED LWR 30-1-87

ISSUE E
 5466 CAPACITOR ADDED BETWEEN J3/11 AND J3/12 MAINS FUSE ADDED TO TNC SUPPLY 4/11/87 C38

TOLERANCES ± 0.4mm UNLESS OTHERWISE STATED	MATERIAL	QUANTITY	SCALE	DRAWN	GB/MM	DATE
Bridgeport	PART	SCHEMATIC DIAGRAM				APR 85
	MACHINE	SERIES I INTRACT (USA) MILLING MACHINE (TNC 151)				