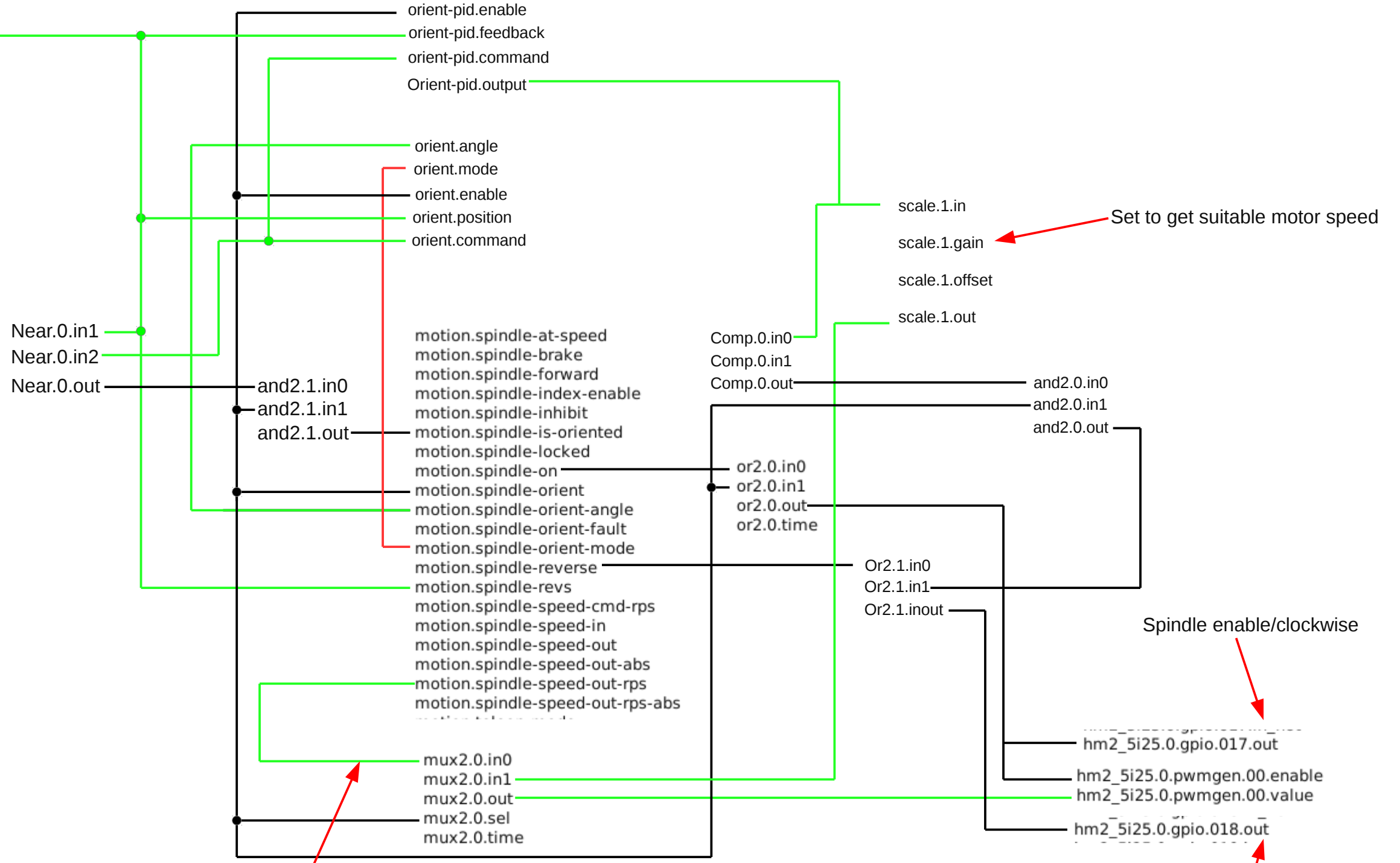


Encoder
Scaled to give
1 /rev

hm2_5i25.0.encoder.02.reset
hm2_5i25.0.encoder.02.input-index
hm2_5i25.0.encoder.02.position



— float
— S32

Normal operating speed

Spindle enable/clockwise

Spindle anti clockwise

This set up will not work properly with Old Jaguar Cub inverter, as it will not go slow enough for spindle to stop near correct position. A newer drive may be ok. If the speed is set using the inverters own pot, the spindle will stop within two or three degrees. This would be fine for a 24/24 hole 'brake' disc/solenoid to lock spindle.