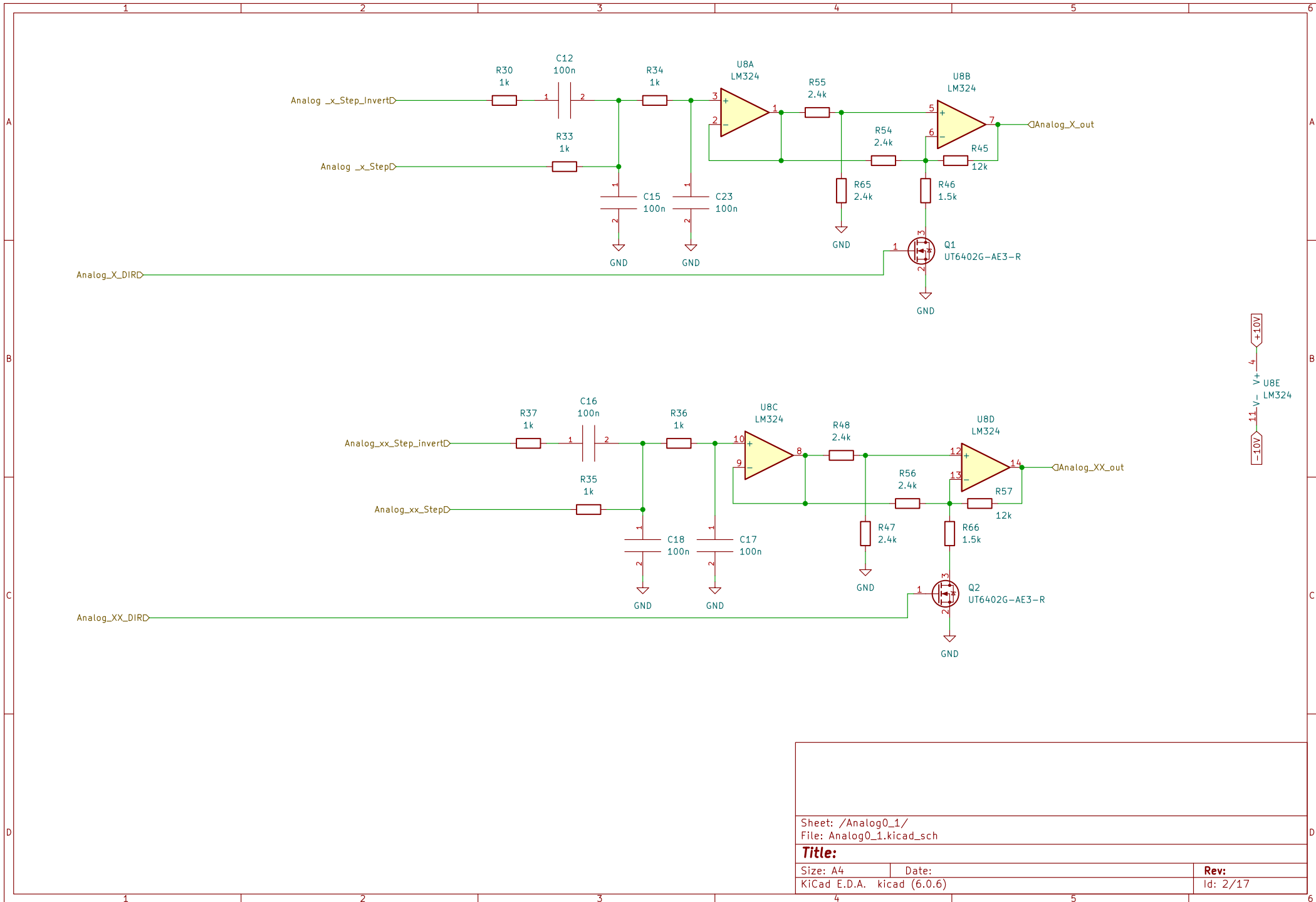


Sheet: /
 File: Mesa_PWM_Analog_I_O v1.0.2.kicad_sch
Title:
 Size: A2 Date: Rev:
 KiCad E.D.A. kicad (6.0.6) Id: 1/17



Sheet: /Analog0_1/
 File: Analog0_1.kicad_sch

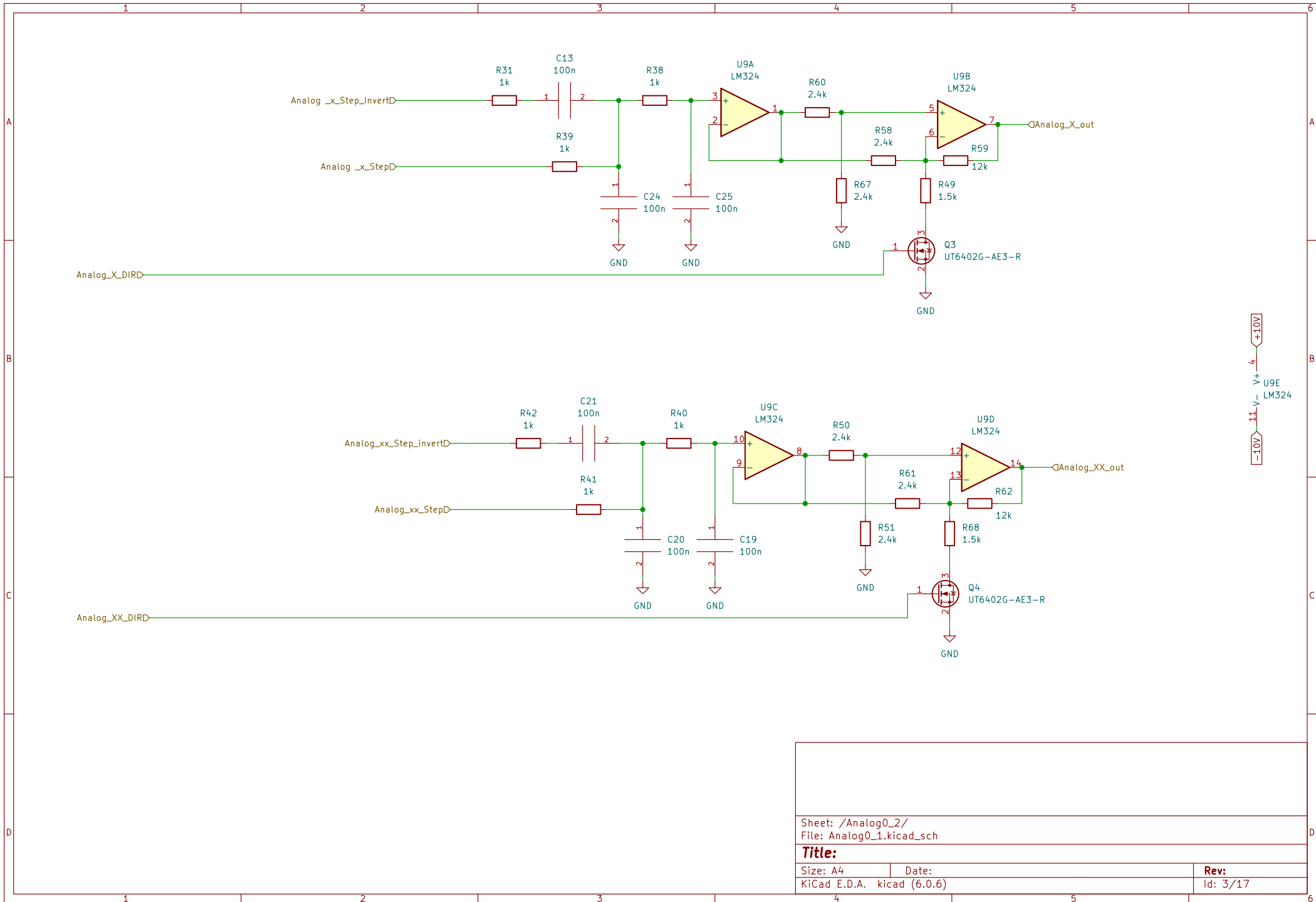
Title:

Size: A4
 KiCad E.D.A. kicad (6.0.6)

Date:

Rev:

Id: 2/17

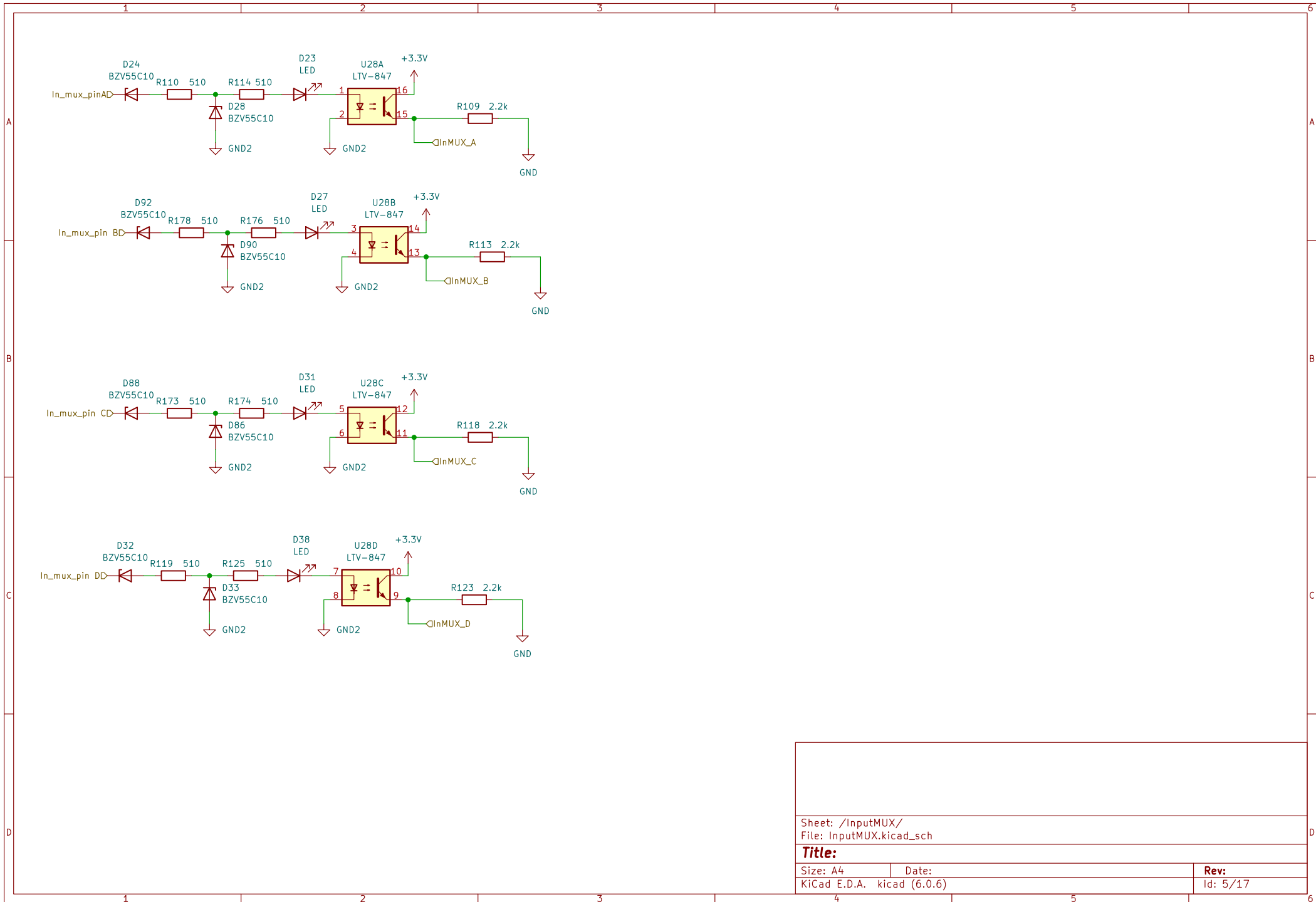


Sheet: /Analog0_2/
 File: Analog0_1.kicad_sch

Title:

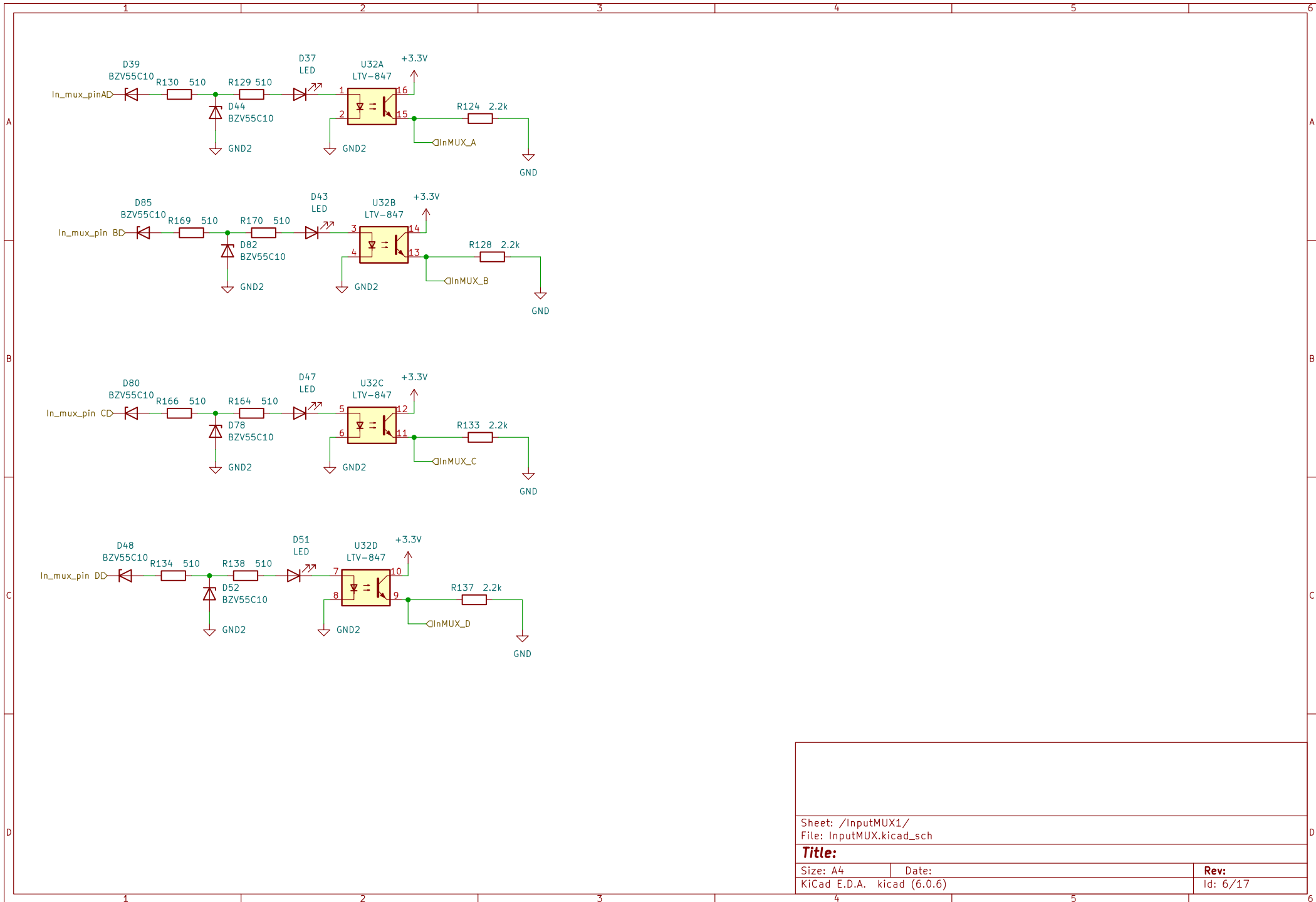
Size: A4 Date:
 KiCad E.D.A. kicad (6.0.6)

Rev:
 Id: 3/17



Sheet: /InputMUX/
 File: InputMUX.kicad_sch

Title:	
Size: A4	Date:
KiCad E.D.A. kicad (6.0.6)	Rev: Id: 5/17



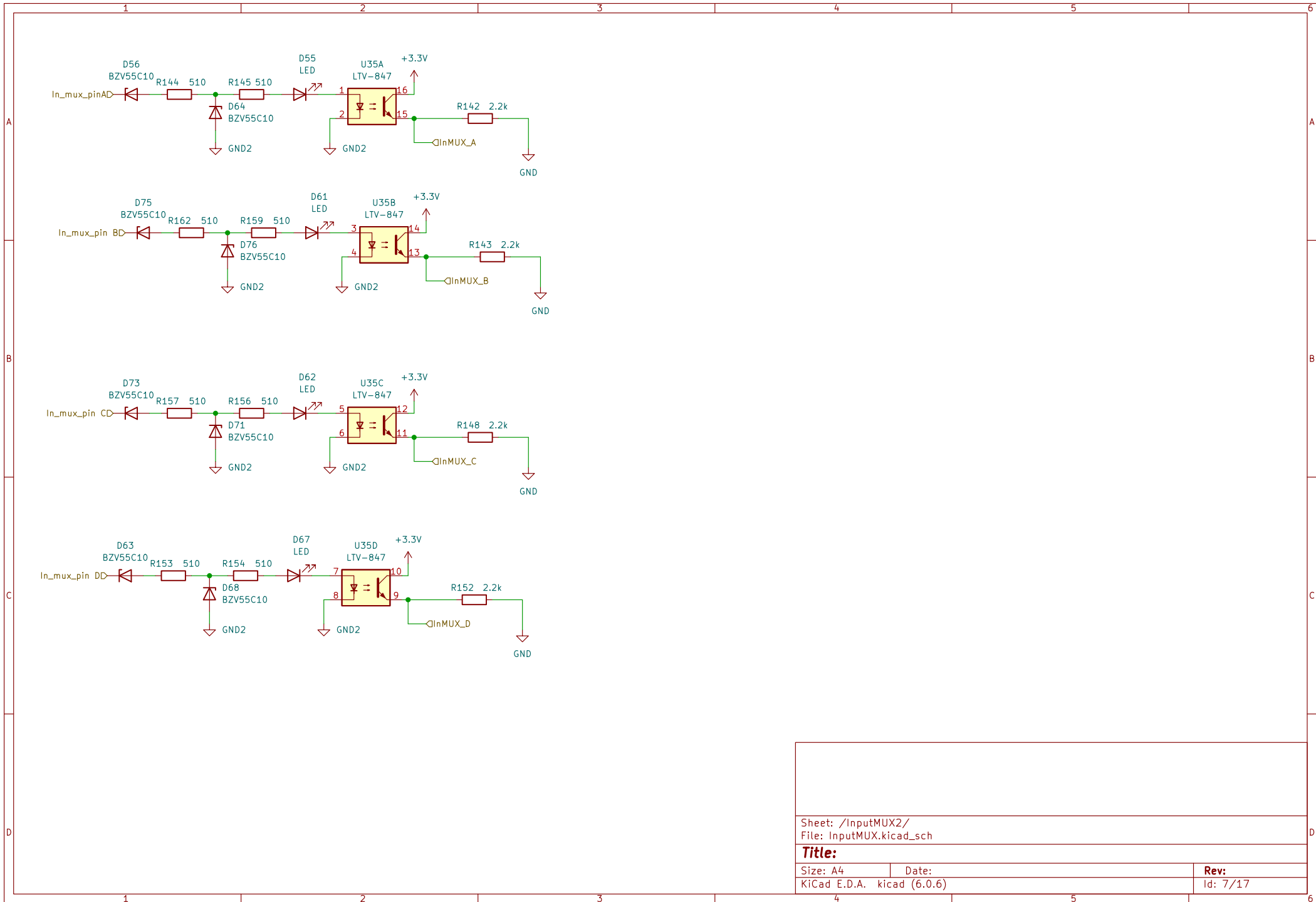
Sheet: /InputMUX1/
 File: InputMUX.kicad_sch

Title:

Size: A4
 KiCad E.D.A. kicad (6.0.6)

Date:

Rev:
 Id: 6/17



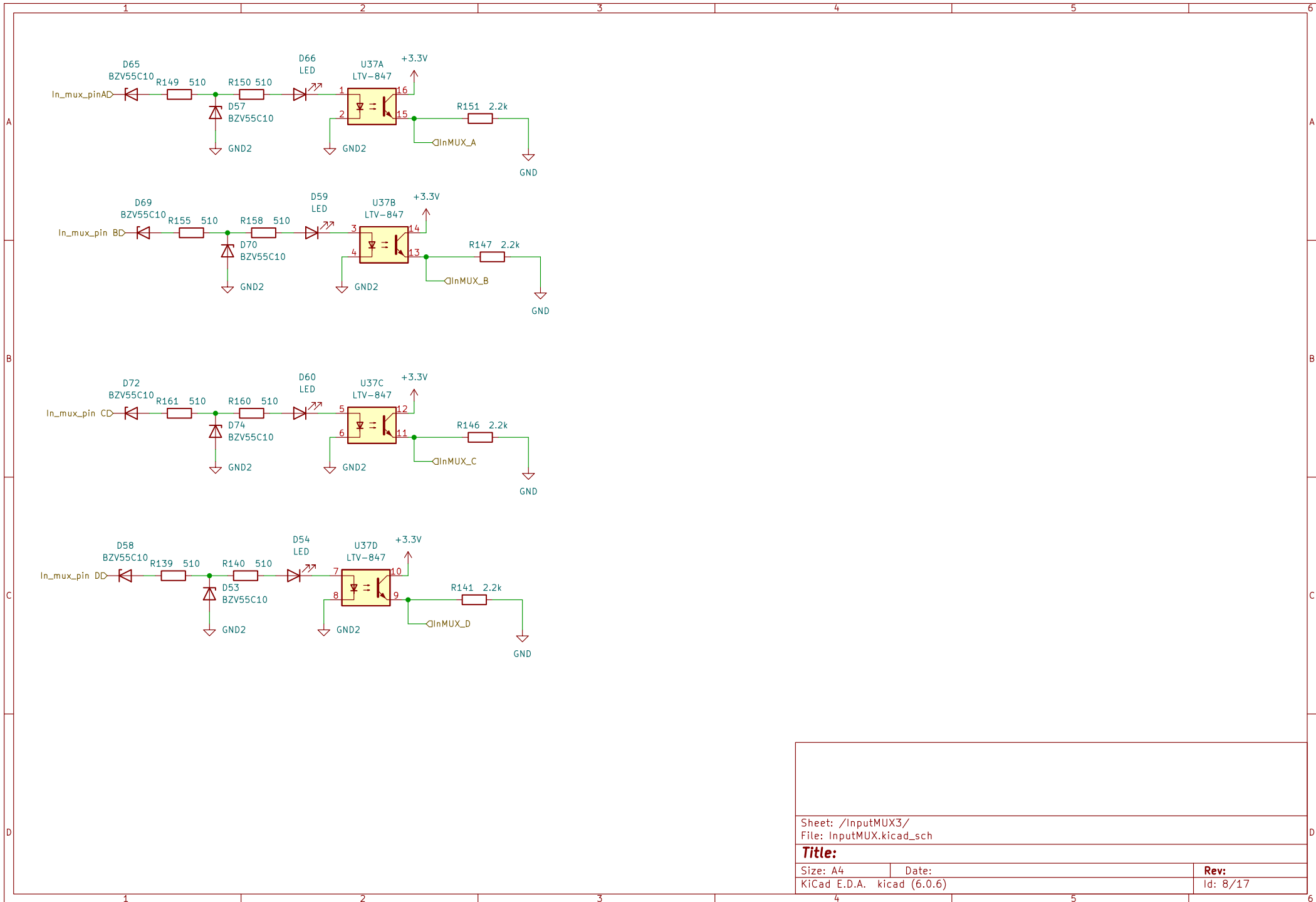
Sheet: /InputMUX2/
 File: InputMUX.kicad_sch

Title:

Size: A4
 KiCad E.D.A. kicad (6.0.6)

Date:

Rev:
 Id: 7/17



Sheet: /InputMUX3/
 File: InputMUX.kicad_sch

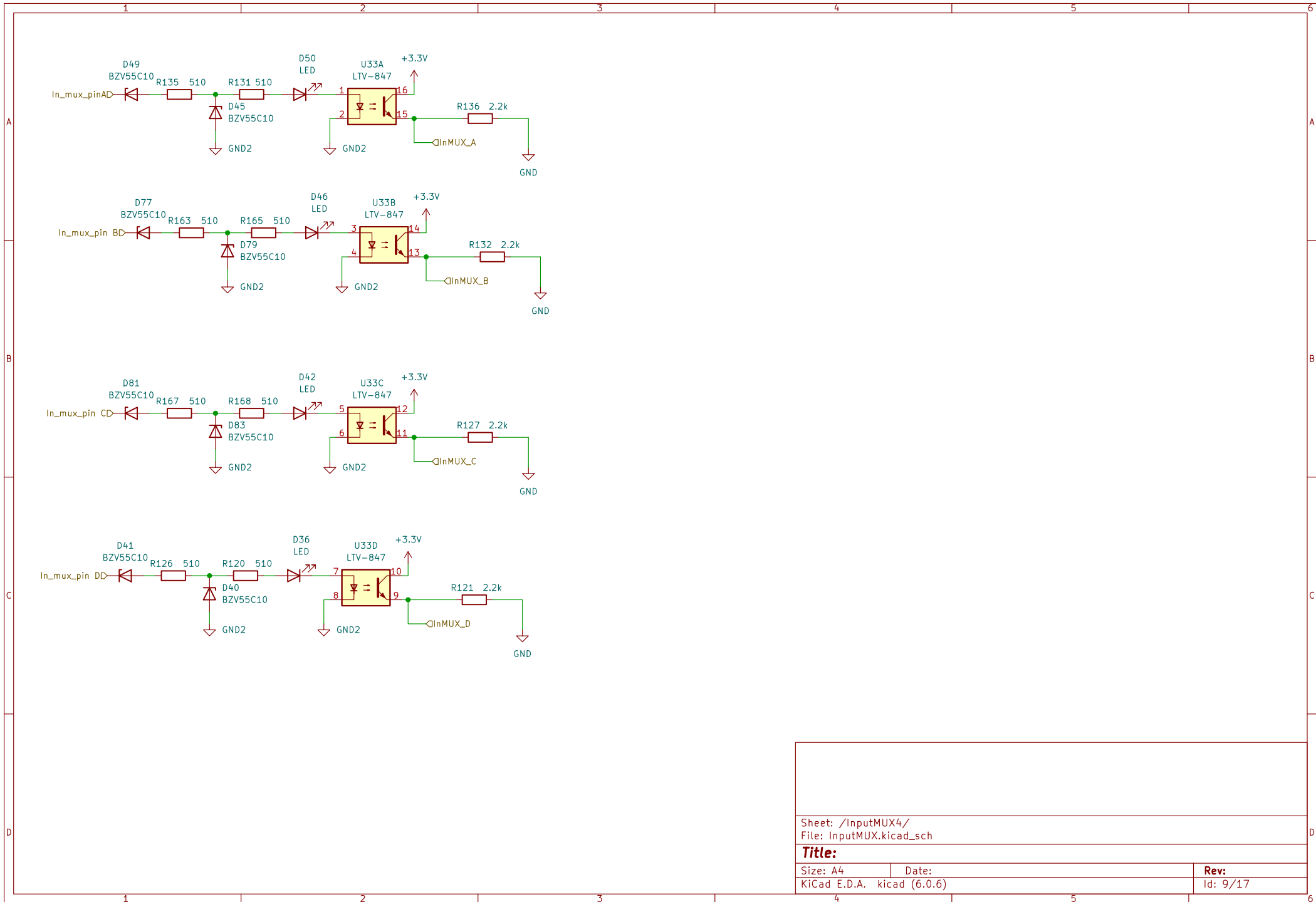
Title:

Size: A4
 KiCad E.D.A. kicad (6.0.6)

Date:

Rev:

Id: 8/17



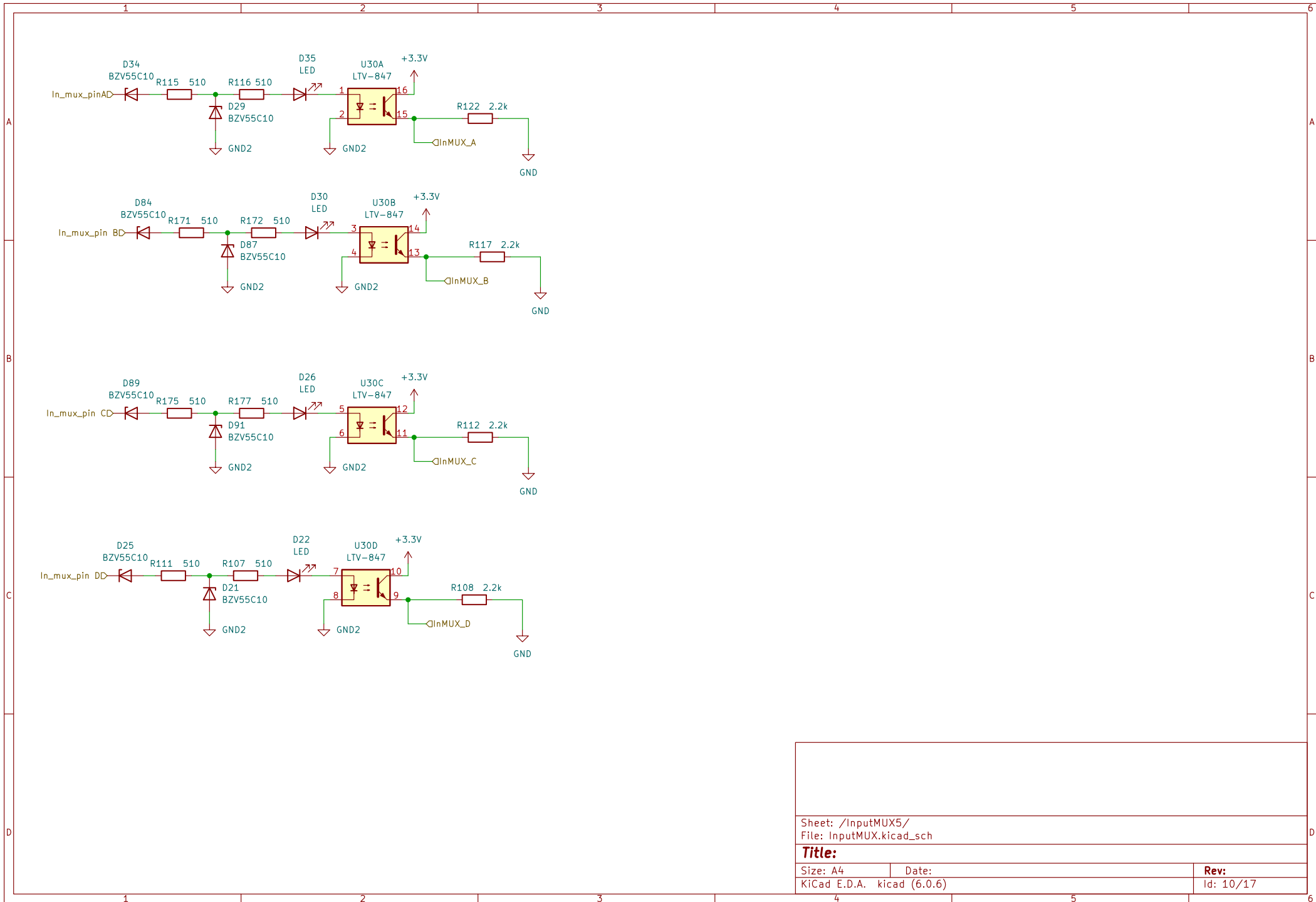
Sheet: /InputMUX4/
 File: InputMUX.kicad_sch

Title:

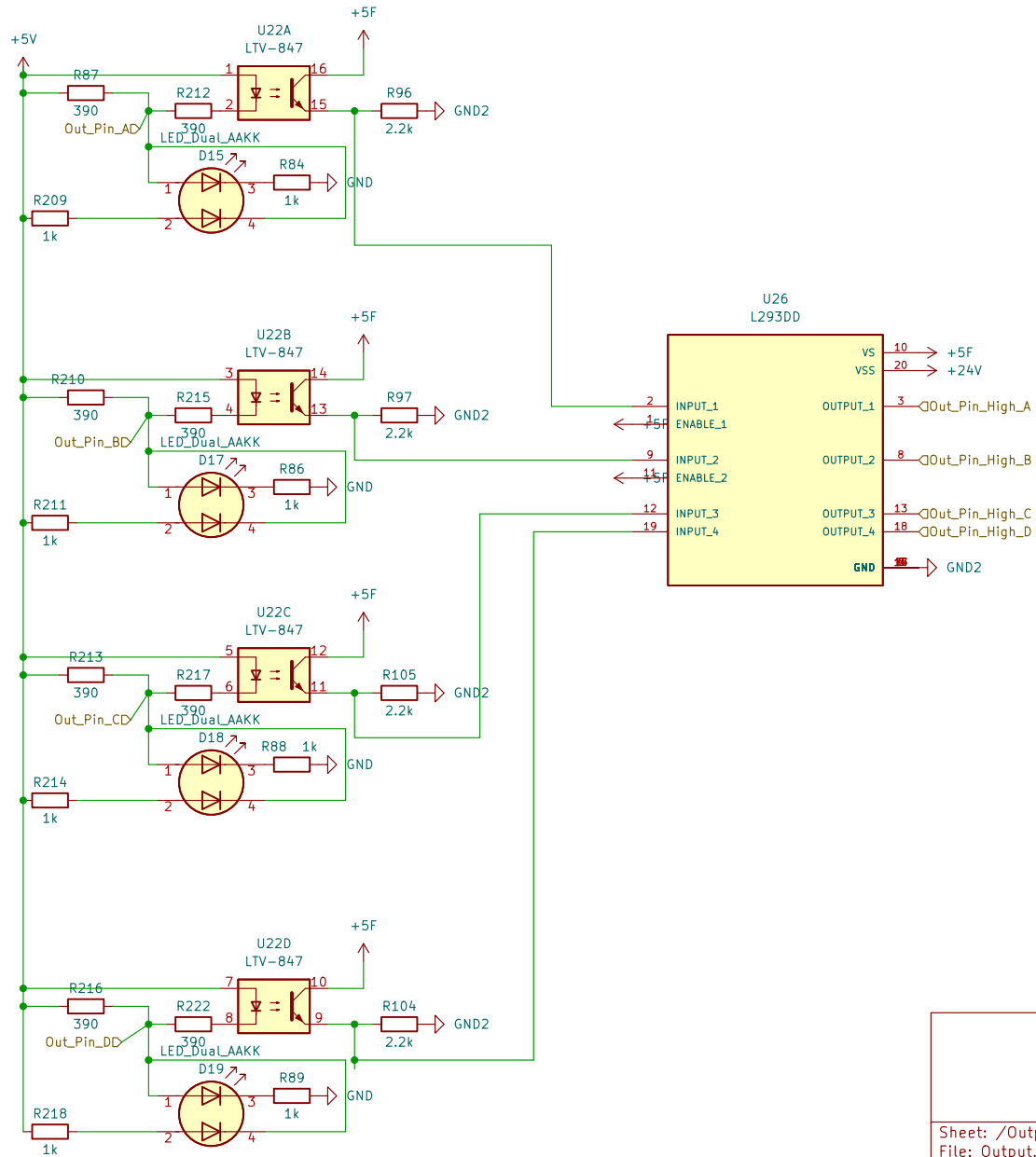
Size: A4
 KiCad E.D.A. kicad (6.0.6)

Date:

Rev:
 Id: 9/17



Sheet: /InputMUX5/		Date:	
File: InputMUX.kicad_sch		Rev:	
Title:			
Size: A4	KiCad E.D.A. kicad (6.0.6)	Id: 10/17	



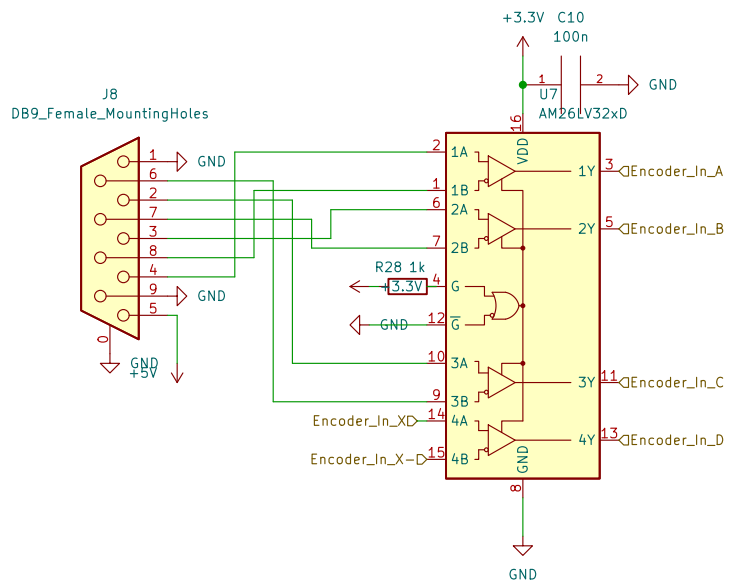
Sheet: /Output/
 File: Output.kicad_sch

Title:

Size: A4
 KiCad E.D.A. kicad (6.0.6)

Date:

Rev:
 Id: 11/17



Sheet: /Encoder_Input/
 File: Encoder_Input.kicad_sch

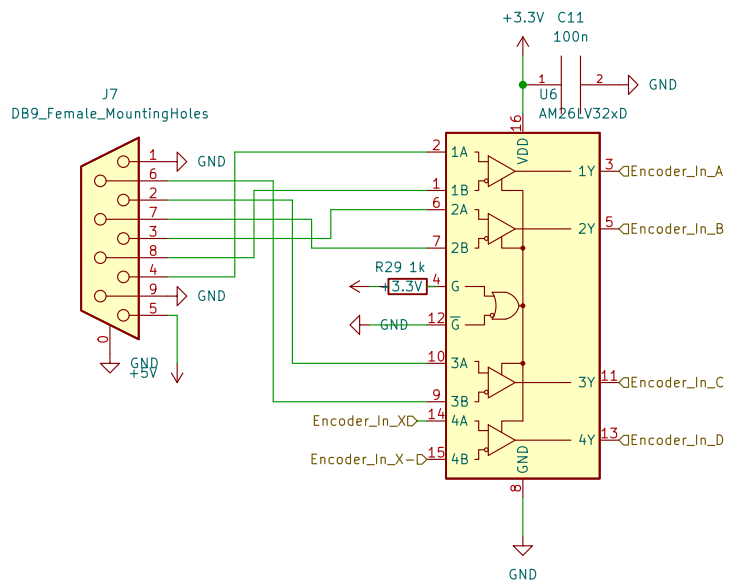
Title:

Size: A4
 KiCad E.D.A. kicad (6.0.6)

Date:

Rev:

Id: 12/17



Sheet: /Encoder_Input1/
 File: Encoder_Input.kicad_sch

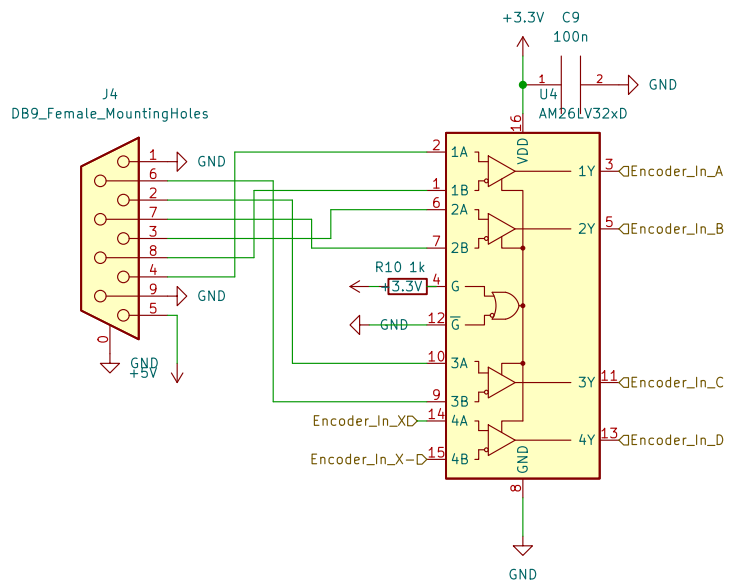
Title:

Size: A4
 KiCad E.D.A. kicad (6.0.6)

Date:

Rev:

Id: 13/17



Sheet: /Encoder_Input2/
 File: Encoder_Input.kicad_sch

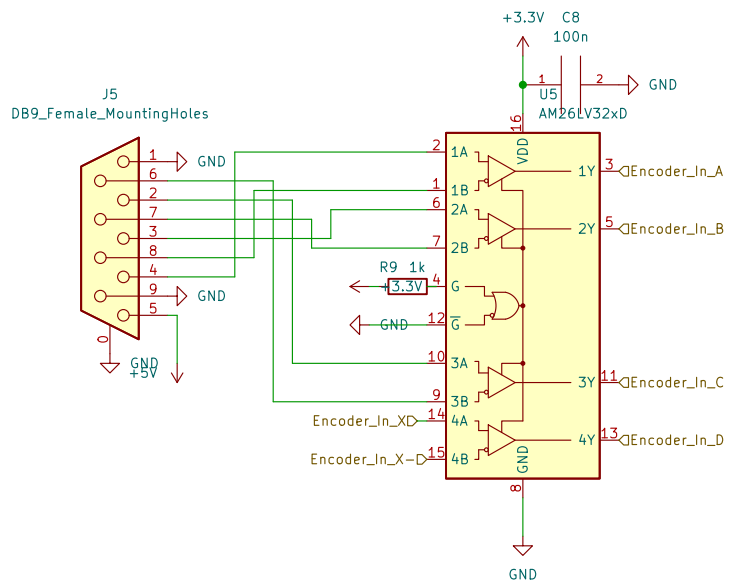
Title:

Size: A4
 KiCad E.D.A. kicad (6.0.6)

Date:

Rev:

Id: 14/17



Sheet: /Encoder_Input3/
 File: Encoder_Input.kicad_sch

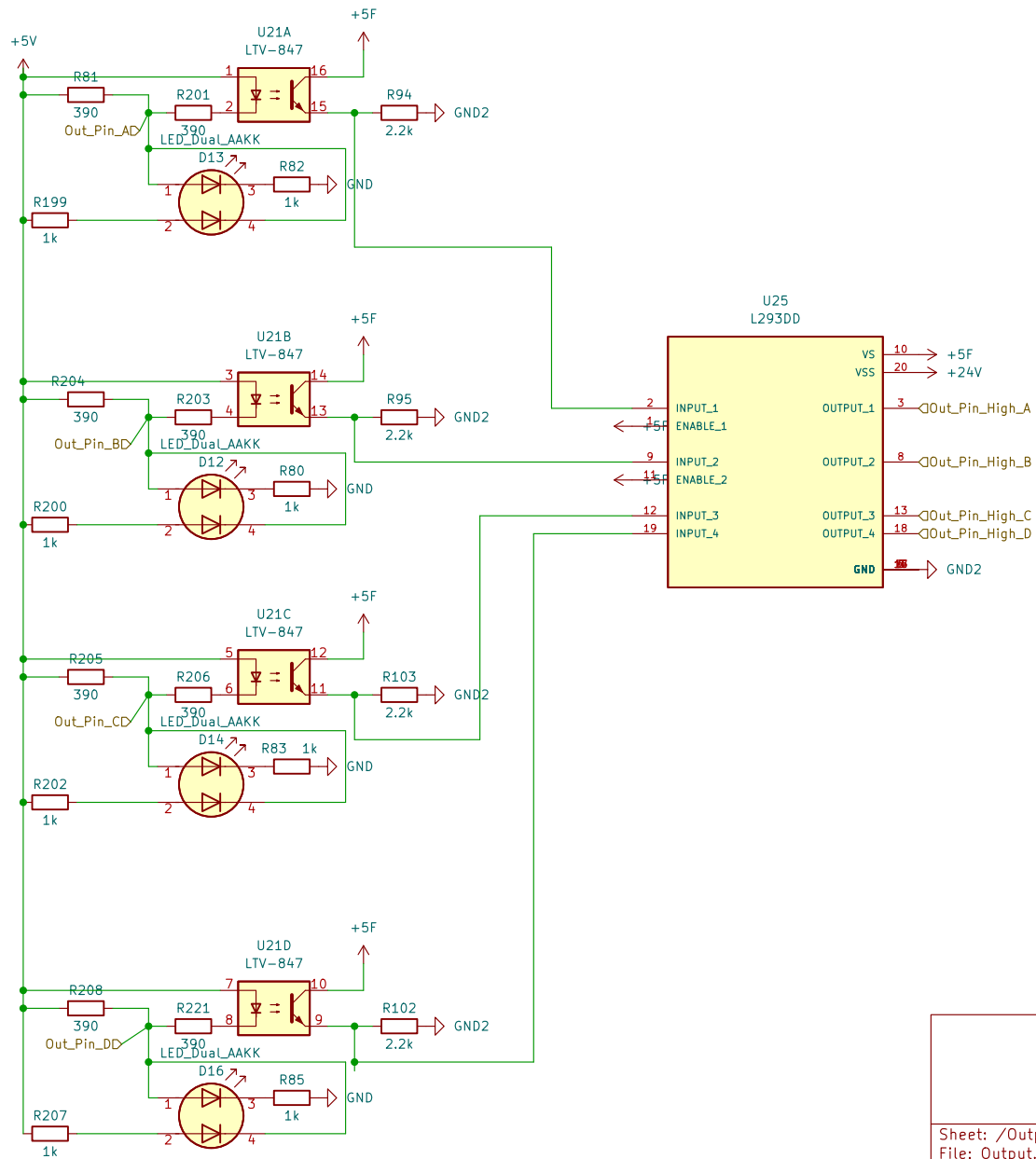
Title:

Size: A4
 KiCad E.D.A. kicad (6.0.6)

Date:

Rev:

Id: 15/17



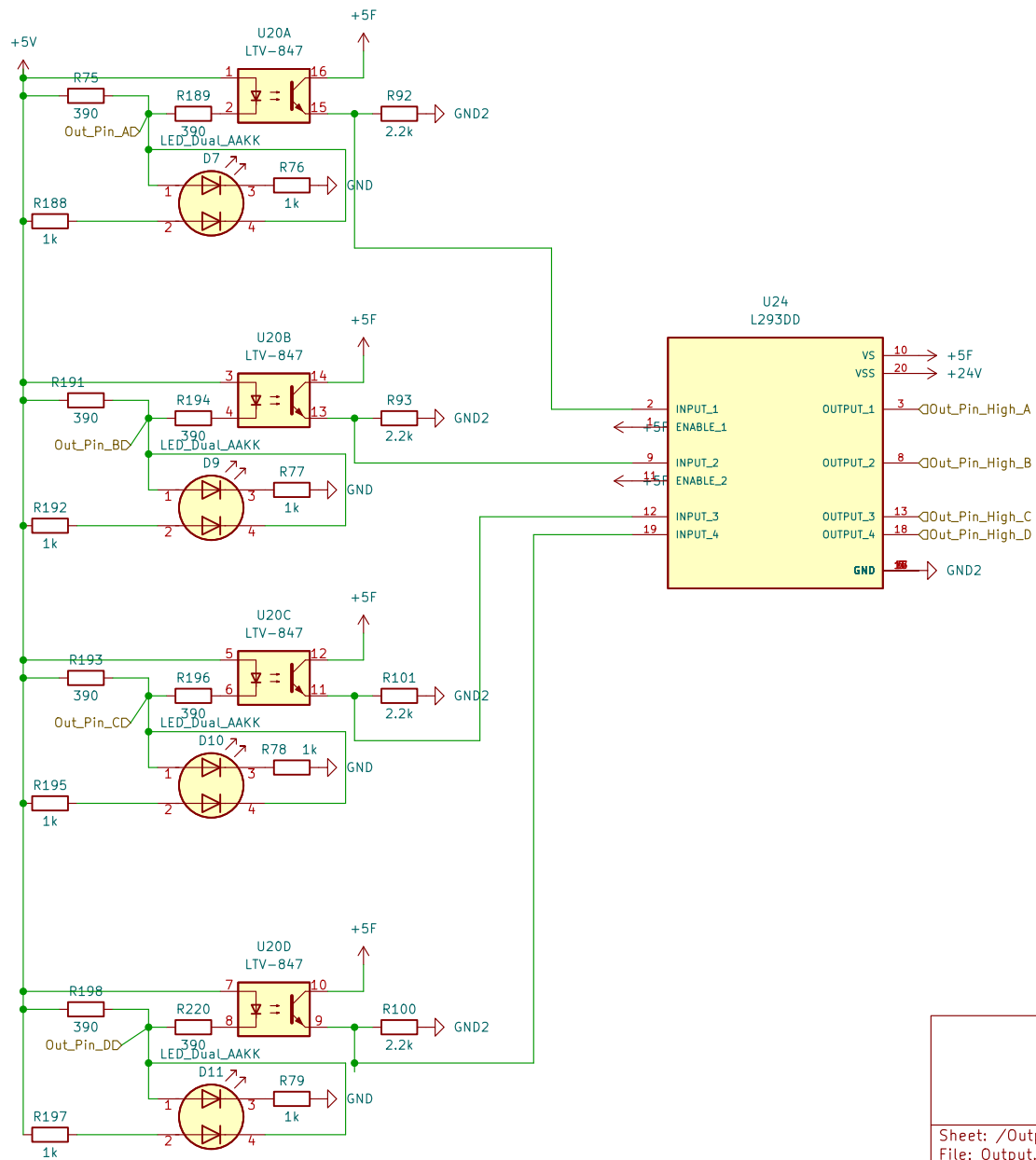
Sheet: /Output1/
 File: Output.kicad_sch

Title:

Size: A4
 KiCad E.D.A. kicad (6.0.6)

Date:

Rev:
 Id: 16/17



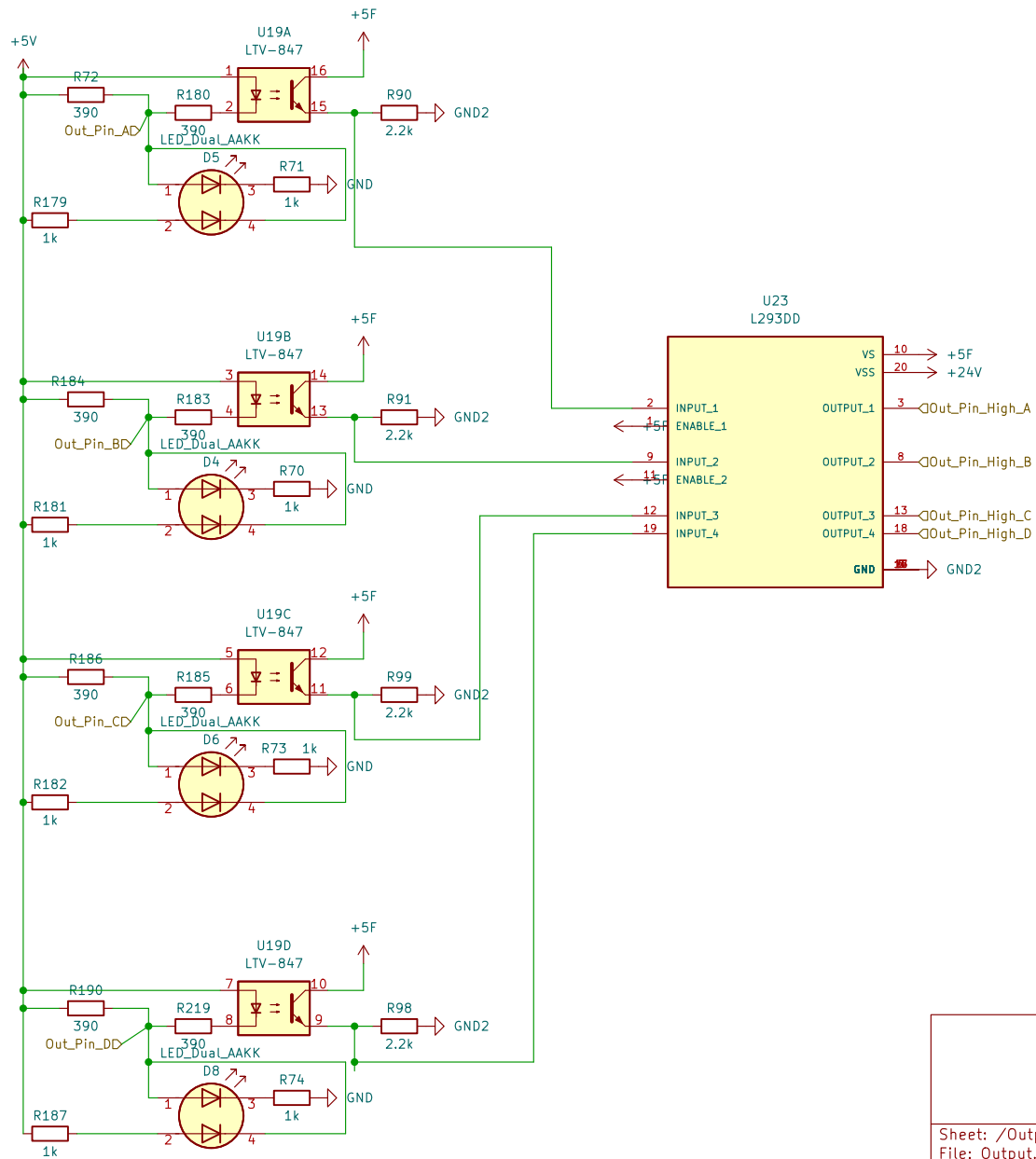
Sheet: /Output2/
 File: Output.kicad_sch

Title:

Size: A4
 KiCad E.D.A. kicad (6.0.6)

Date:

Rev:
 Id: 17/17



Sheet: /Output3/
 File: Output.kicad_sch

Title:

Size: A4
 KiCad E.D.A. kicad (6.0.6)

Date:

Rev:
 Id: 18/17