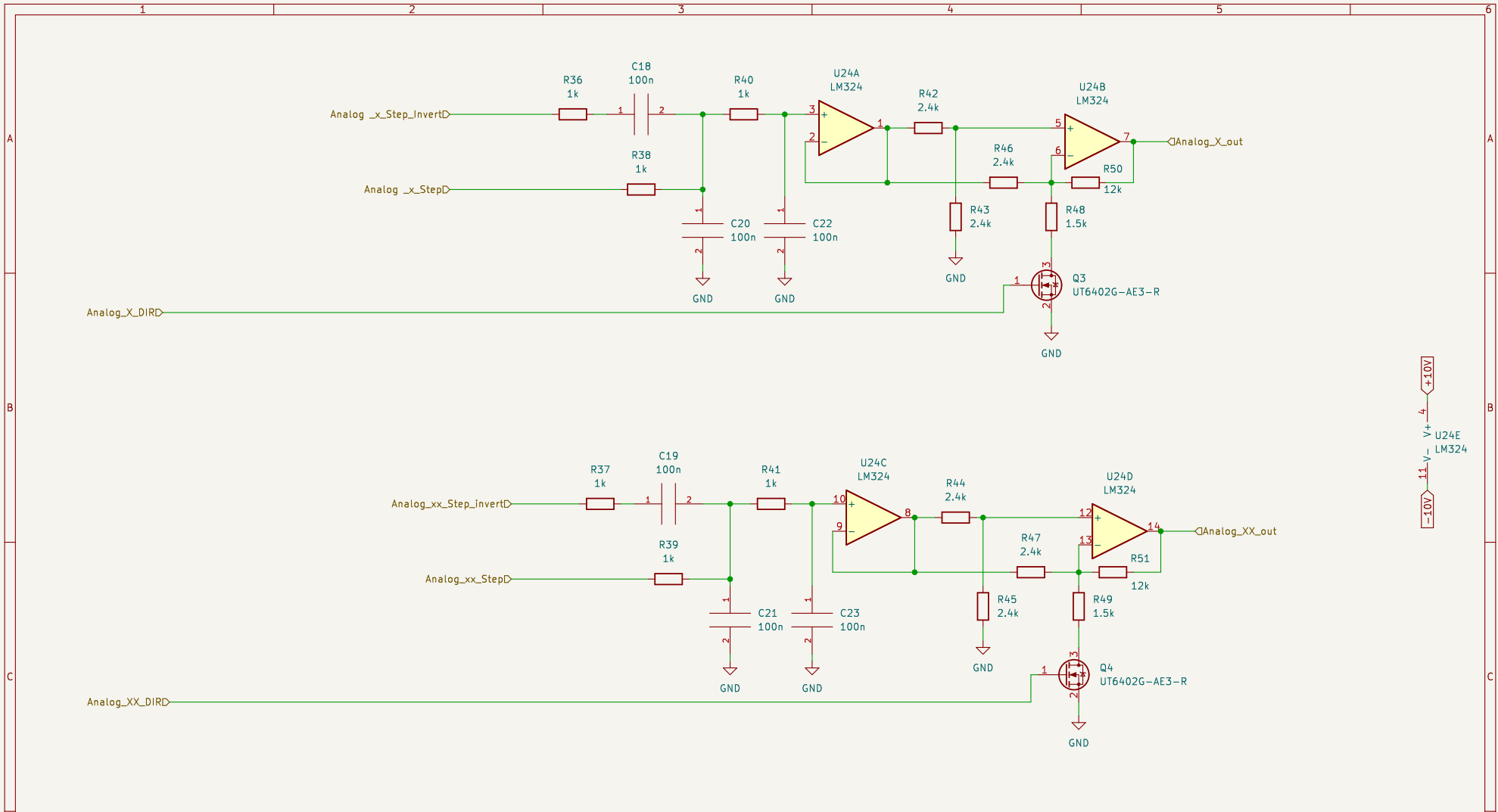


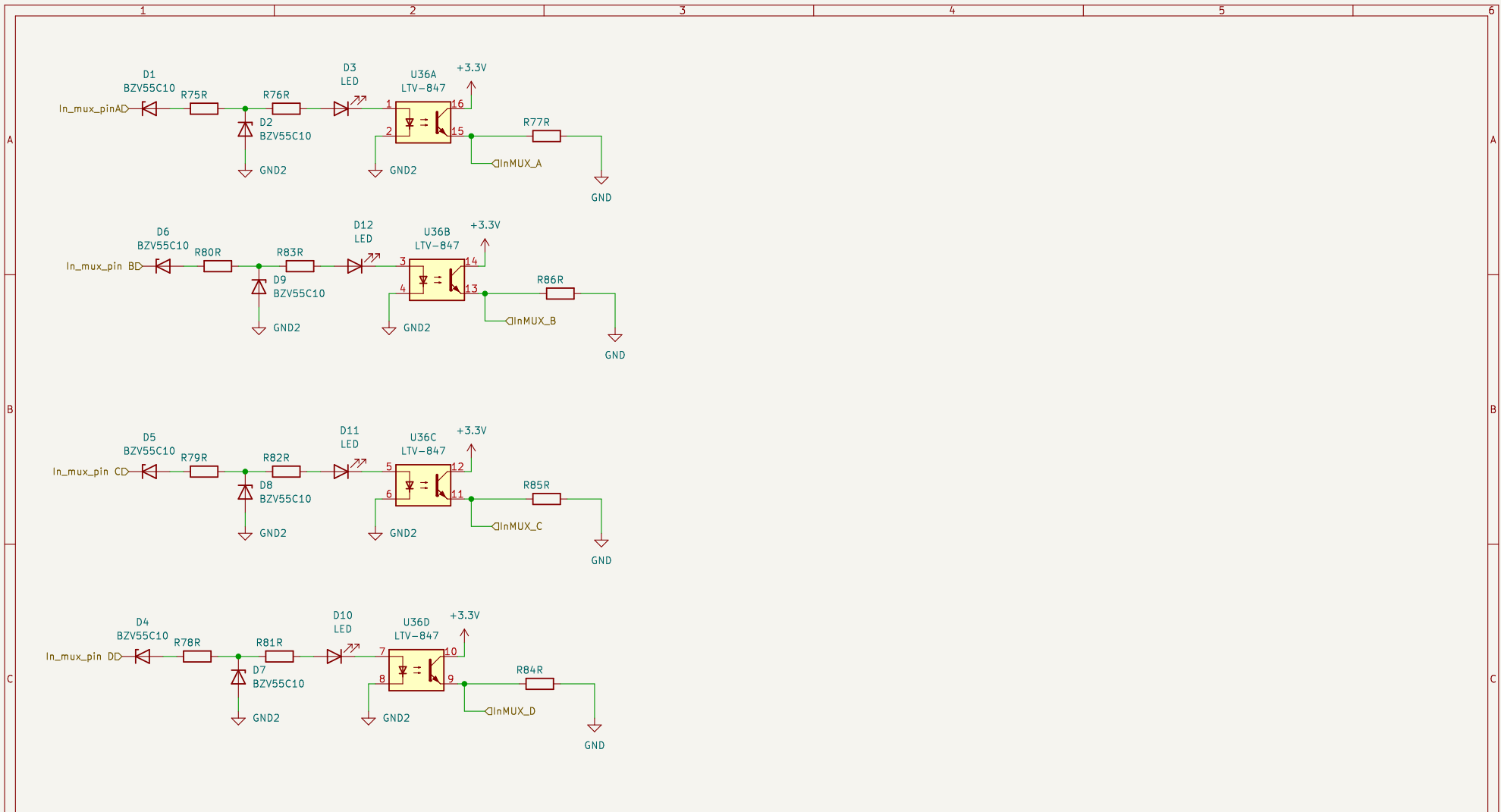
Sheet: /Analog0_1/
 File: Analog0_1.kicad_sch

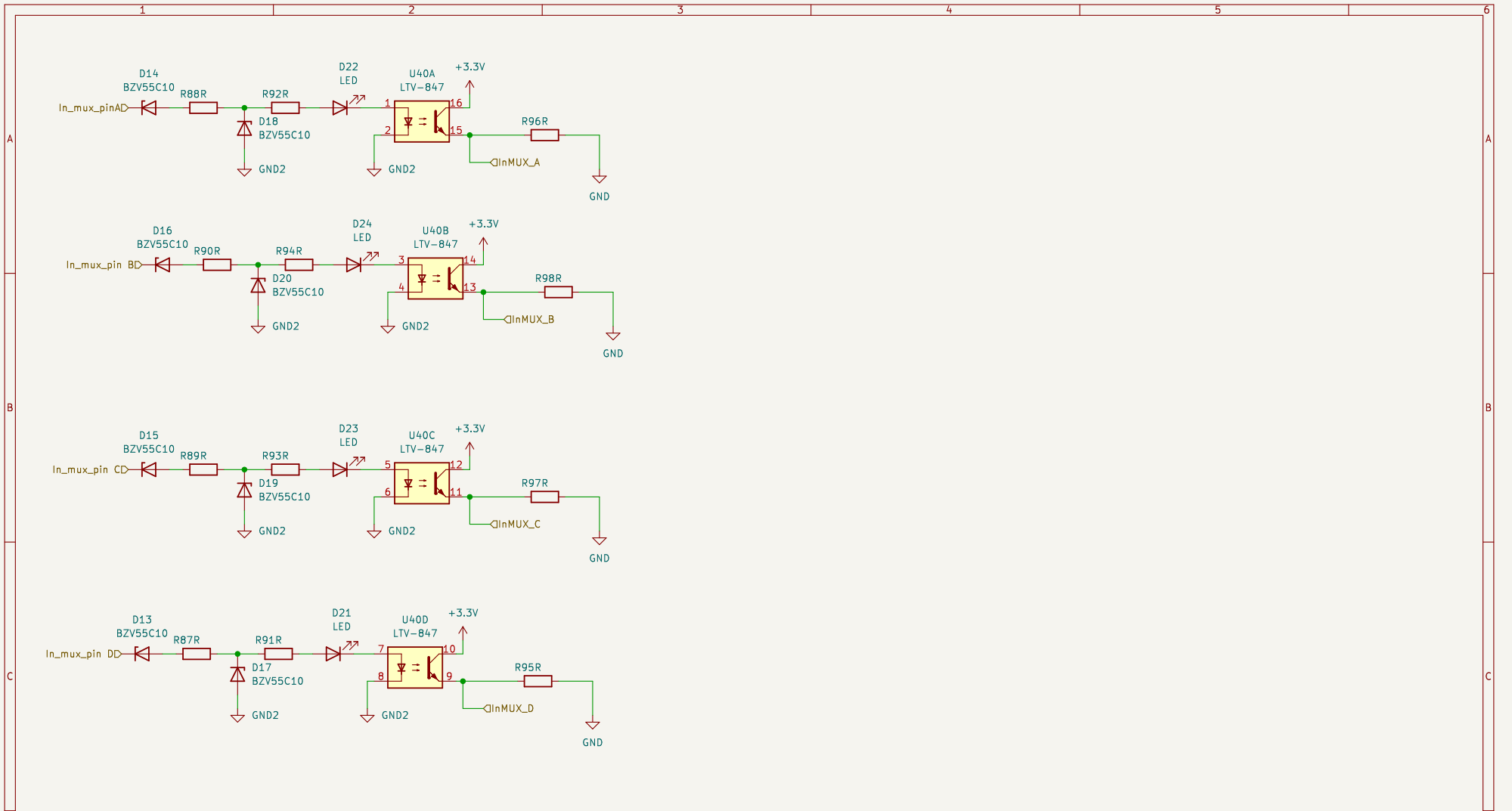
Title:

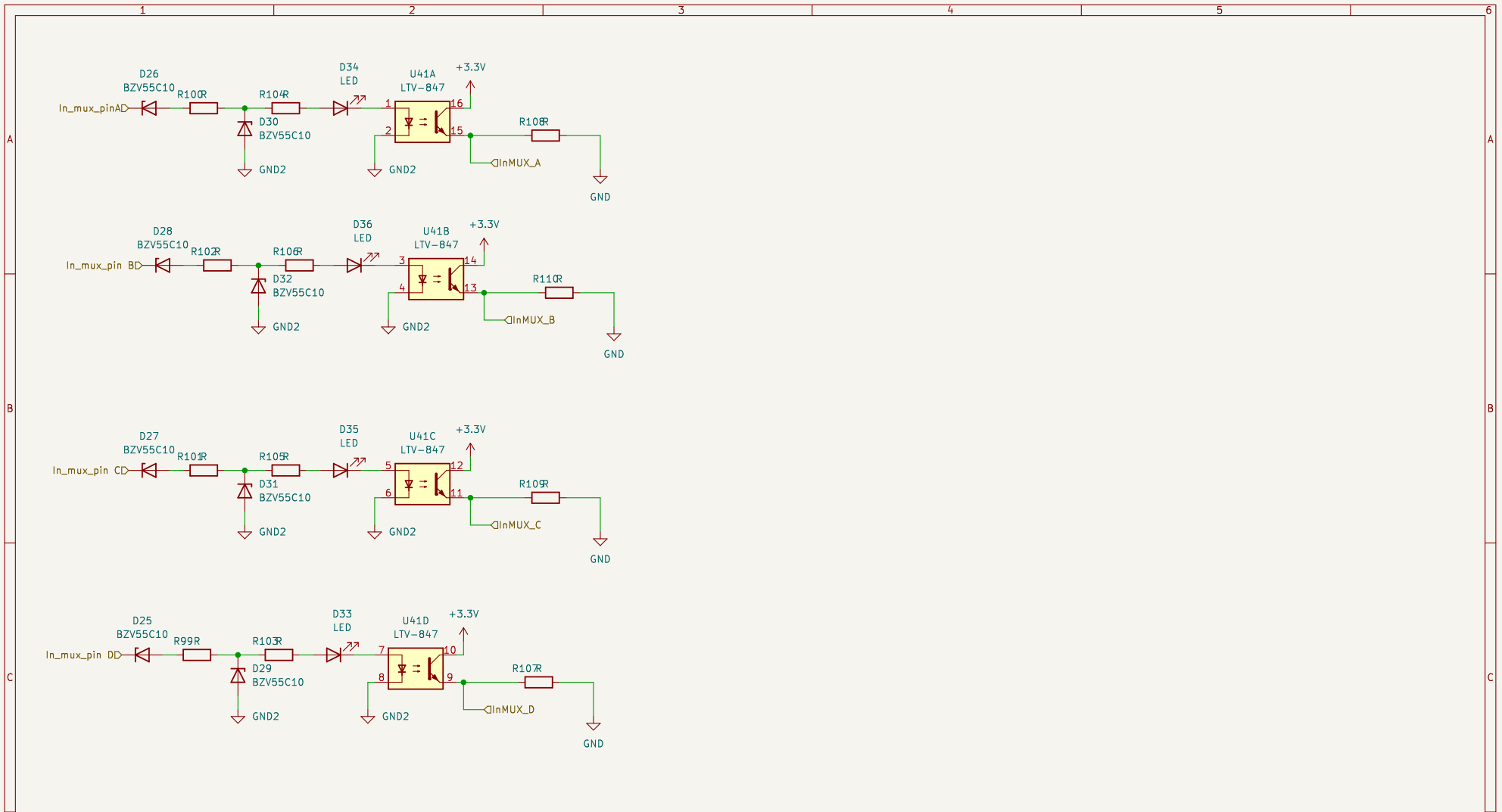
Size: A4 Date:
 KiCad E.D.A. kicad (6.0.6)

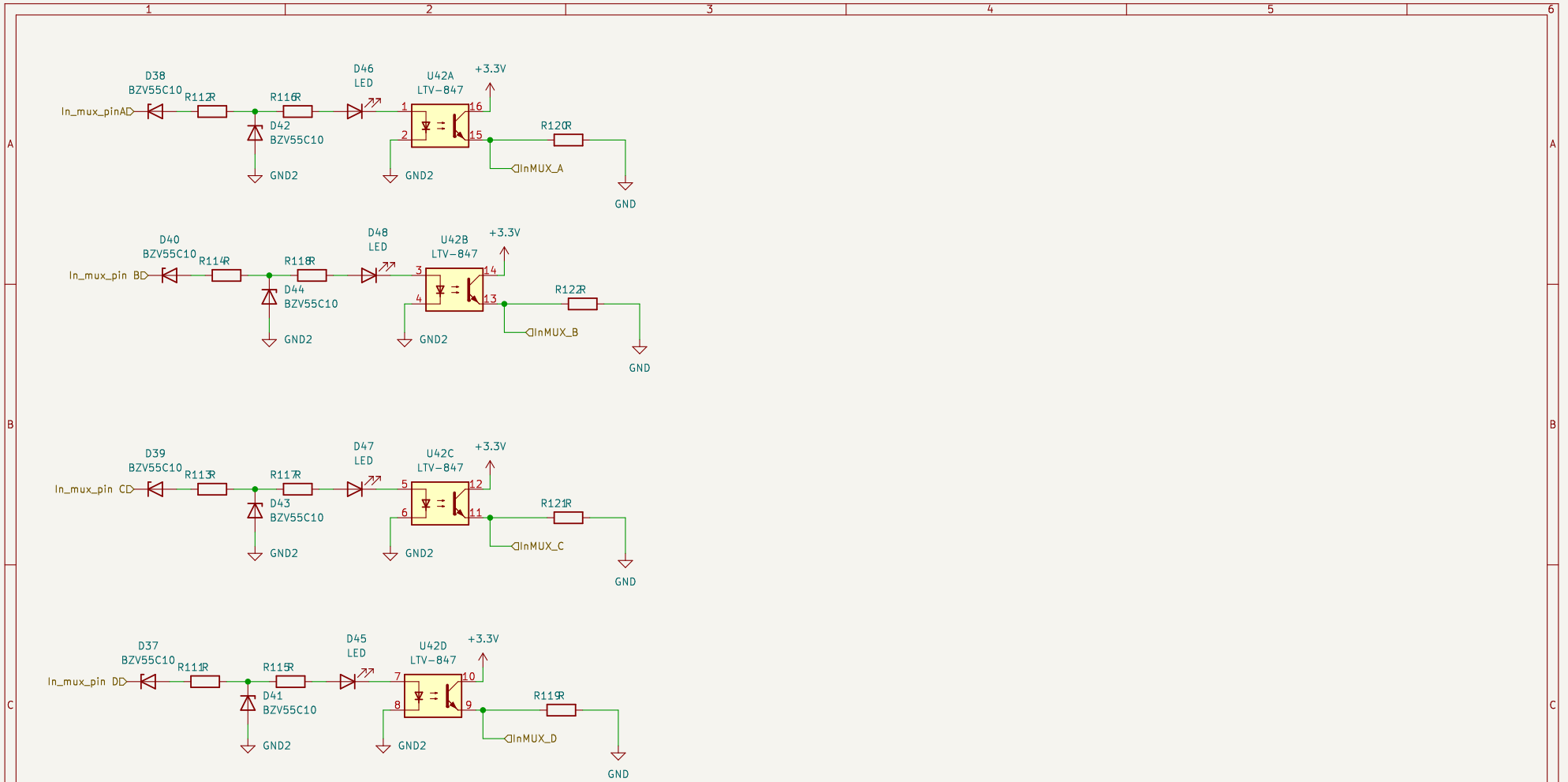
Rev:
 Id: 2/17

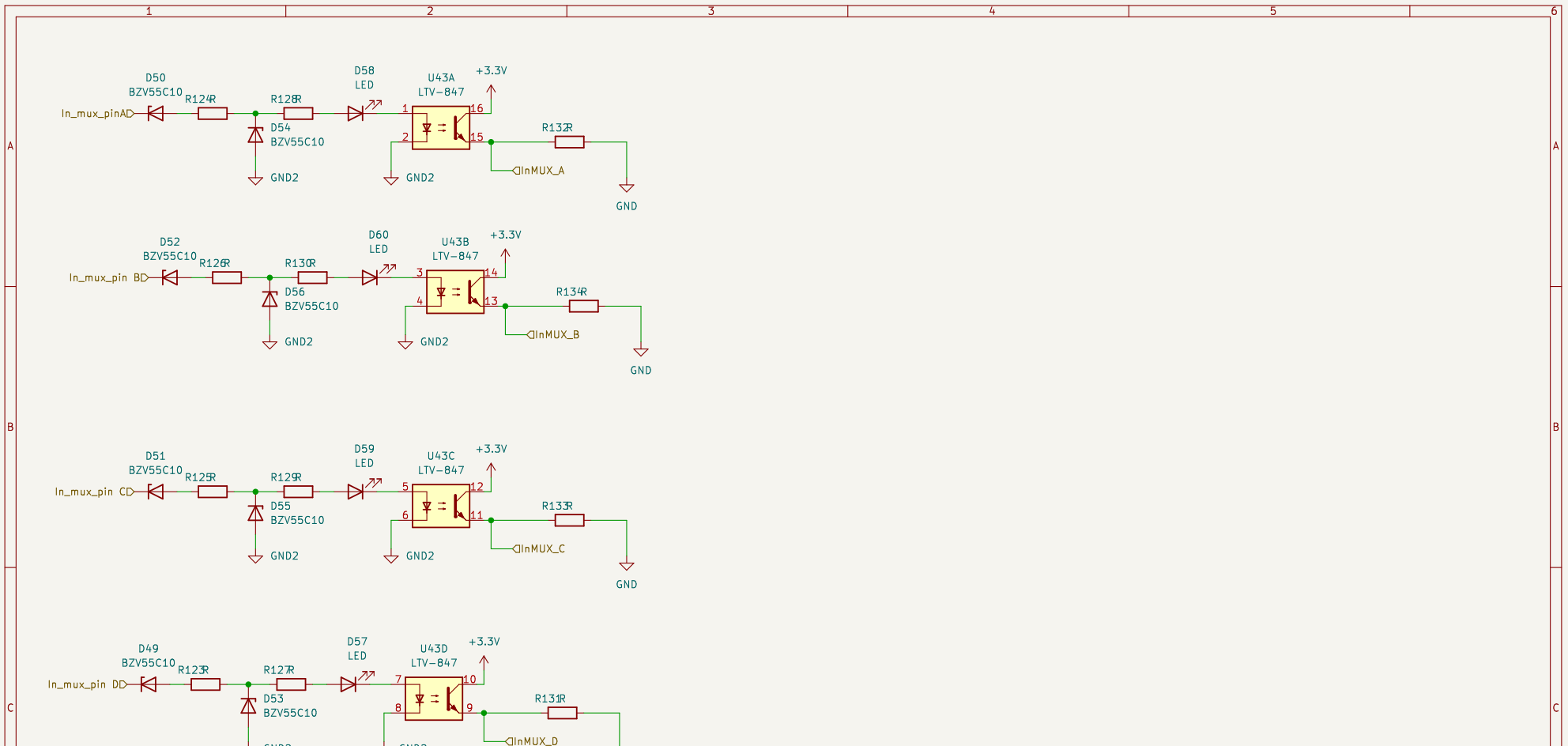


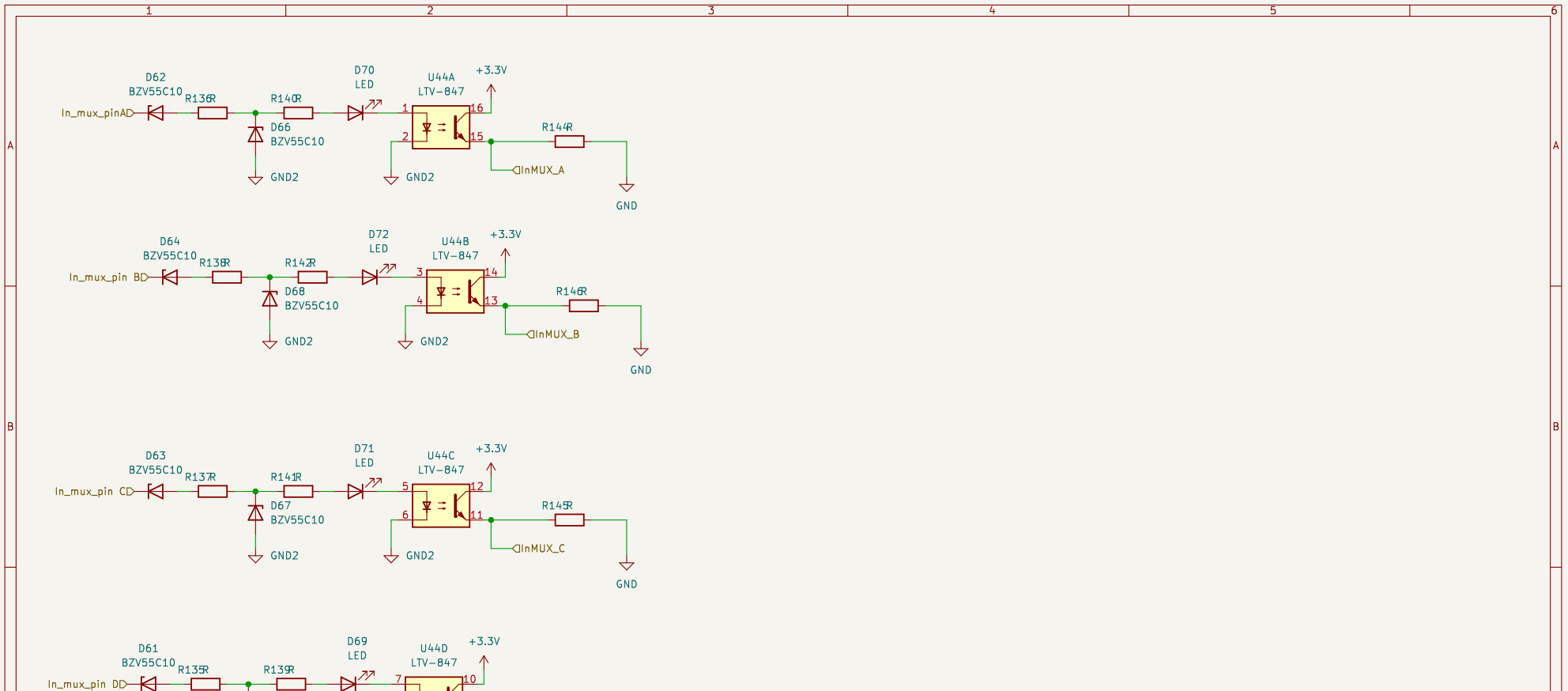


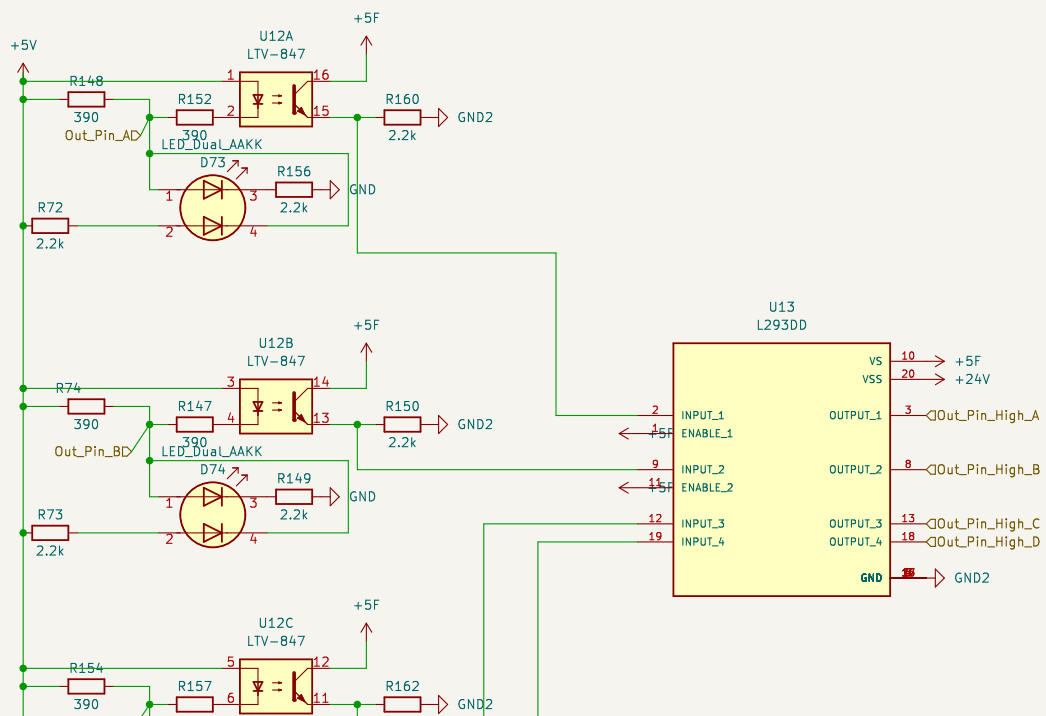


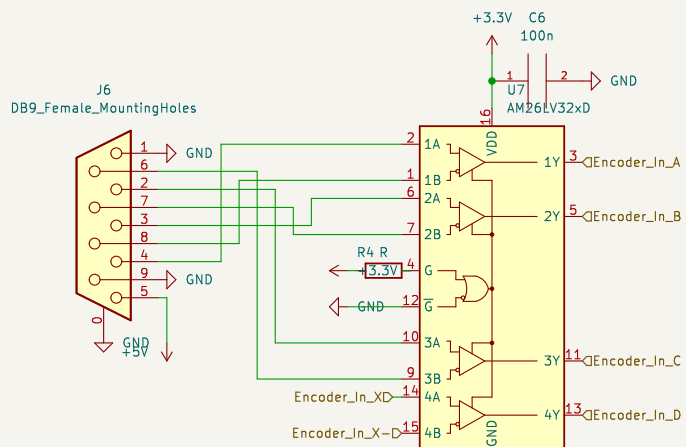


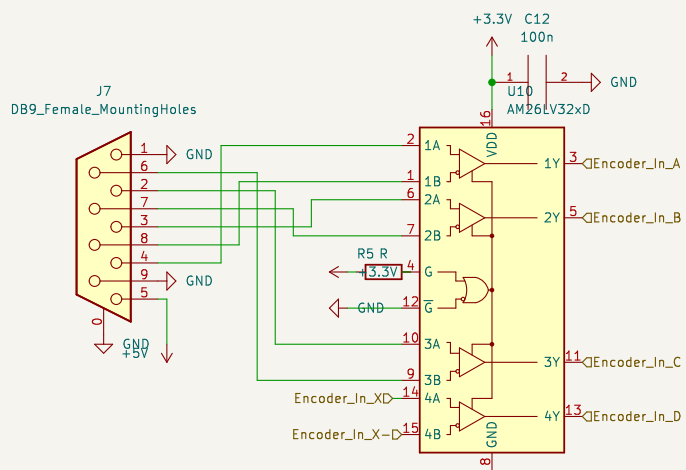


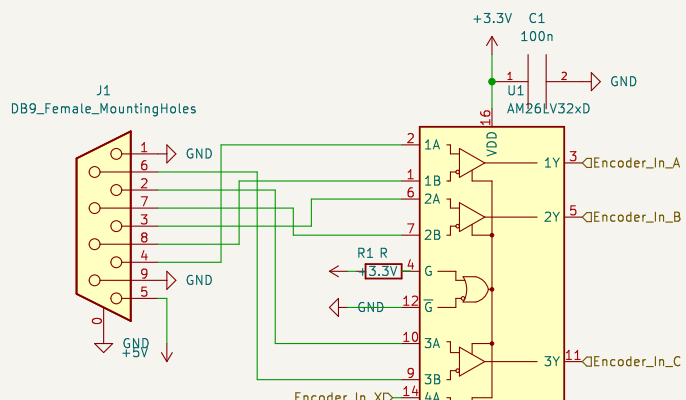












1 2 3 4 5 6

A

A

