

# MOTOR CONTROL BOX - Y AXIS 1/2 DRIVES SHOWN

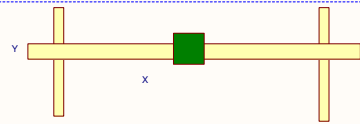
KOLLMORGEN IC22030A1P1114A  
 IRONCORE LINEAR MOTOR  
 MAX CONT. FORCE 519N (117 LBFT)  
 PEAK FORCE 630N (142 LBFT)  
 PER SIDE

TB2

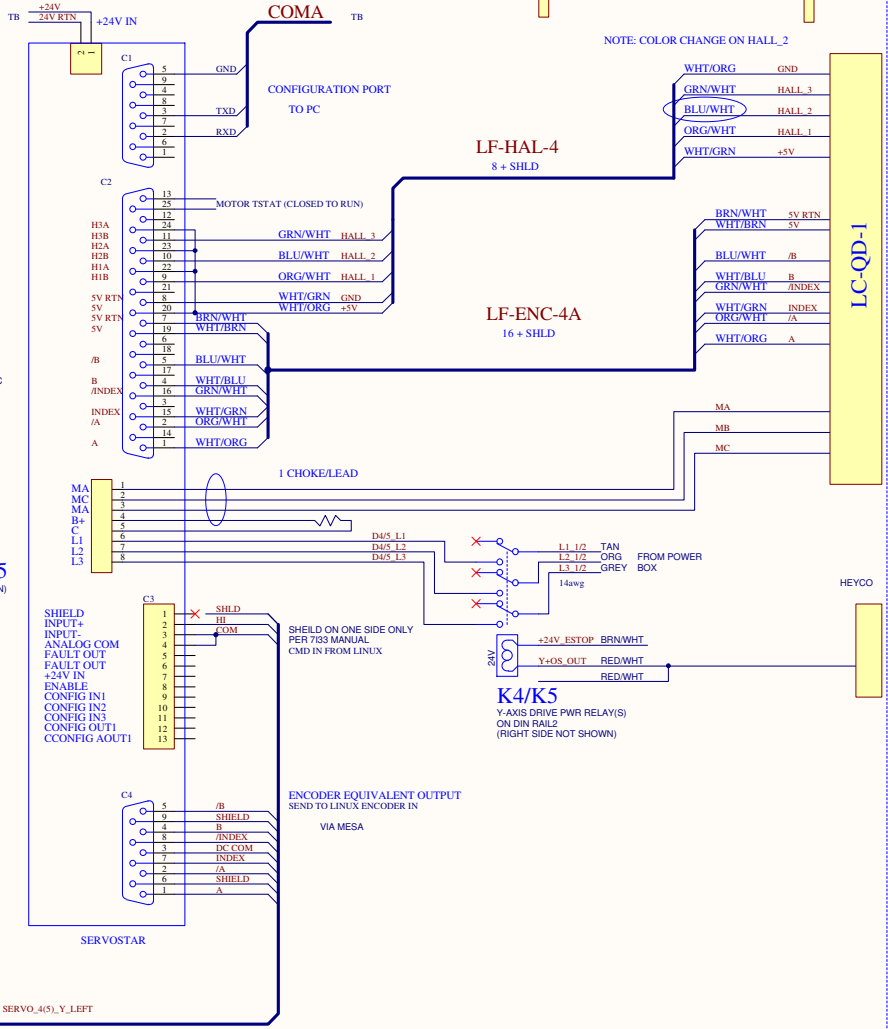
230VAC 3 PHASE  
 4.6KW  
 13A CONTINUOUS  
 26A PEAK (500MS)  
 USE VELOCITY MODE

SERVOSTAR CE10260  
 260 - STANDARD WITH 24V LOGIC  
 10 - 10A  
 E - ENCODER FEEDBACK  
 C - CD SERIES (COMPACT DRIVE)

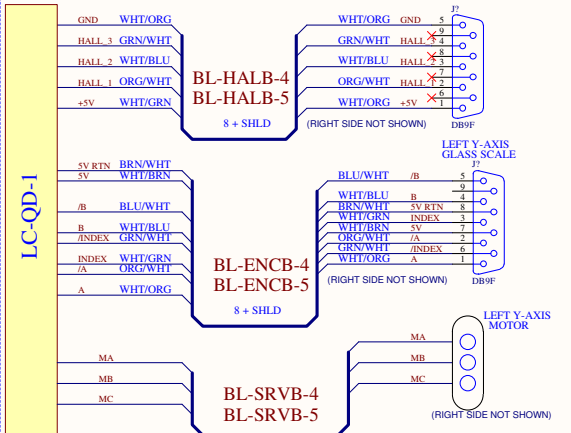
CURRENT LOOP 16KHZ  
 COMMUTATION LOOP 16KHZ  
 VELOCITY LOOP 4KHZ  
 POSITION LOOP 2KHZ



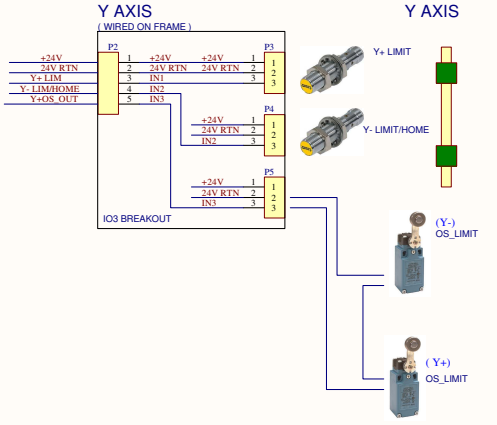
NOTE: COLOR CHANGE ON HALL\_2



LEFT SIDE CABLES ONLY SHOWN  
 (RIGHT SIDE ON SAME QCD CONNECTOR/CABLE)



DRIVE 4/5  
 (DRIVE 5 NOT SHOWN)



D

Title		
Size	Number	Revision
C		
Date:	3/10/2020	Sheet of
File:	C:\Armadio\Lab\XYZ Box - Y Axis	Drawn by