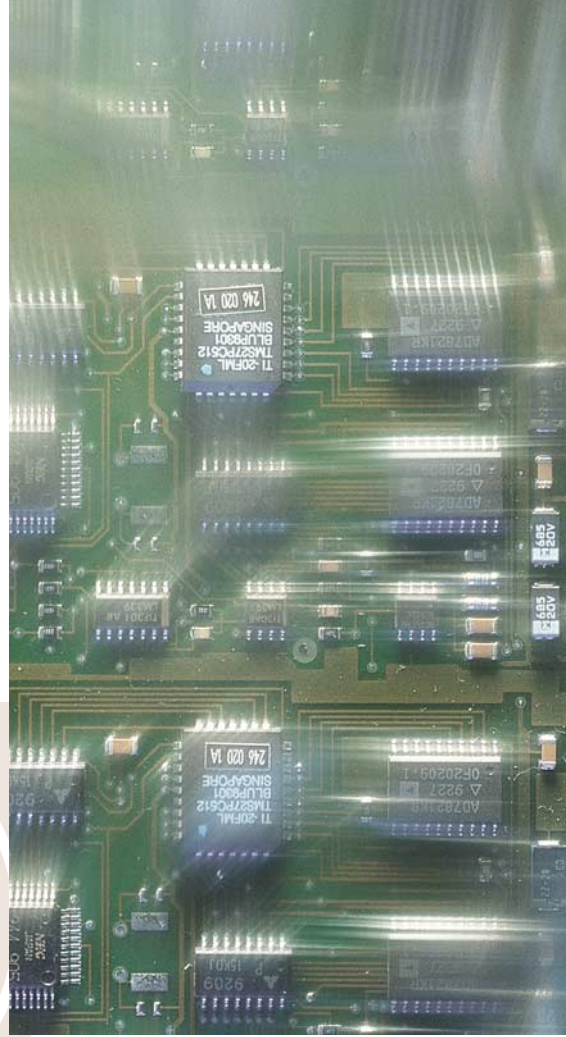


HEIDENHAIN



**Interpolation and
Digitizing Electronics**

Overview

	Model	Interpolation	Clock frequency f_r	Encoder inputs	Power supply	Specifications see page
EXE Type: input signals $\sim 11 \mu A_{PP}$	EXE 602E	Without and 5-fold	Non-clocked	1	5 V \pm 5 %	8
	EXE 610C	5-fold or 10-fold	2 MHz	1		
	EXE 612	5-fold or 10-fold	8 MHz	1		
	EXE 650B	25-fold	8 MHz	1		
		50-fold				
	EXE 660B	25-fold, 50-fold, 100-fold, 200-fold or 400-fold	20 MHz	1		
	EXE 914	25-fold	8 MHz	1	Primary-clocked power supply 85 to 265 V	12
	EXE 922	Without,	Non-clocked	2		
		5-fold or 10-fold	2 MHz			
	EXE 924	25-fold	8 MHz	2		
EXE 932	Without,	Non-clocked	3			
	5-fold or 10-fold	2 MHz				
EXE 934	25-fold	8 MHz	3			
EXE 935	50-fold	8 MHz	3			
IBV Type: input signals $\sim 1 V_{PP}$	IBV 600	Without	Non-clocked	1	5 V \pm 5 %	16
	IBV 606	2-fold	Non-clocked	1		
	IBV 610	5-fold or 10-fold	8 MHz	1		
	IBV 650	50-fold	8 MHz	1		
	IBV 660B	25-fold, 50-fold, 100-fold, 200-fold or 400-fold	20 MHz	1		

Contents

	Page
General Information	
Measuring Signal Processing	4
Input Frequency f_i	5
Edge Separation a	6
Connection Recommendations	7
Specifications	
EXE 600 Series	8
EXE 900 Series	12
IBV 600 Series	16



Measuring Signal Processing

HEIDENHAIN linear, rotary and angle encoders operate on the principle of photoelectrically scanning very fine gratings. These encoders normally produce sinusoidal scanning signals with levels of approximately $11 \mu\text{A}_{\text{PP}}$ (current signals) or 1V_{PP} (voltage signals). The subsequent electronics first interpolates the scanning signals and then converts them into square-wave pulses (digitizing).

The interpolation and digitizing circuitry is either integrated in the NC control (e.g. a HEIDENHAIN TNC) or display unit (e.g. an ND or POSITIP from HEIDENHAIN), or is available as a separate unit of the **EXE** type (for current signals I_1 , I_2 and I_0) or **IBV** type (for voltage signals A, B and R).

EXE and IBV units deliver two square-wave pulse trains U_{a1} and U_{a2} plus a reference pulse U_{a0} .

Within one signal period, each of the four signal edges of U_{a1} and U_{a2} can be used as a counting pulse.

The distance between two subsequent edges of U_{a1} and U_{a2} is one measuring step. For example, after 5-fold interpolation this distance is $1/20$ of a grating period (see the following example).

Example: With 5-fold interpolation of the measuring signal and the usual 4-fold evaluation of the square-wave pulses in the subsequent electronics, a linear encoder with a grating period of $20 \mu\text{m}$ can provide a measuring step of $1 \mu\text{m}$.



The inverse signals $\overline{U_{a1}}$, $\overline{U_{a2}}$ and $\overline{U_{a0}}$ have been omitted from the illustration to improve clarity.

Input Frequency f_i

The permissible **traversing speed** of linear encoders, and the permissible **shaft speed** of rotary and angle encoders, is limited by the mechanically and electrically permissible traversing or shaft speed (see encoder data sheets). The electrically permissible output frequency of the encoder is usually higher than the permissible input frequency of the EXE or IBV. For this reason, the electrically **permissible traversing speed v** or **shaft speed n** depends directly on the maximum **input frequency f_i** of the EXE or IBV unit (see Overview). Exception: IBV 600 and IBV 606; in this case the -3dB limit frequency of the encoder cannot be exceeded.

Electrically permissible traversing speed v

with linear encoders:

$$v \text{ [m/min]} = p \times f_i \times 6 \times 10^{-2}$$

p signal or grating period of the linear encoder in μm

f_i maximum input frequency of the EXE/IBV in kHz

Electrically permissible shaft speed n

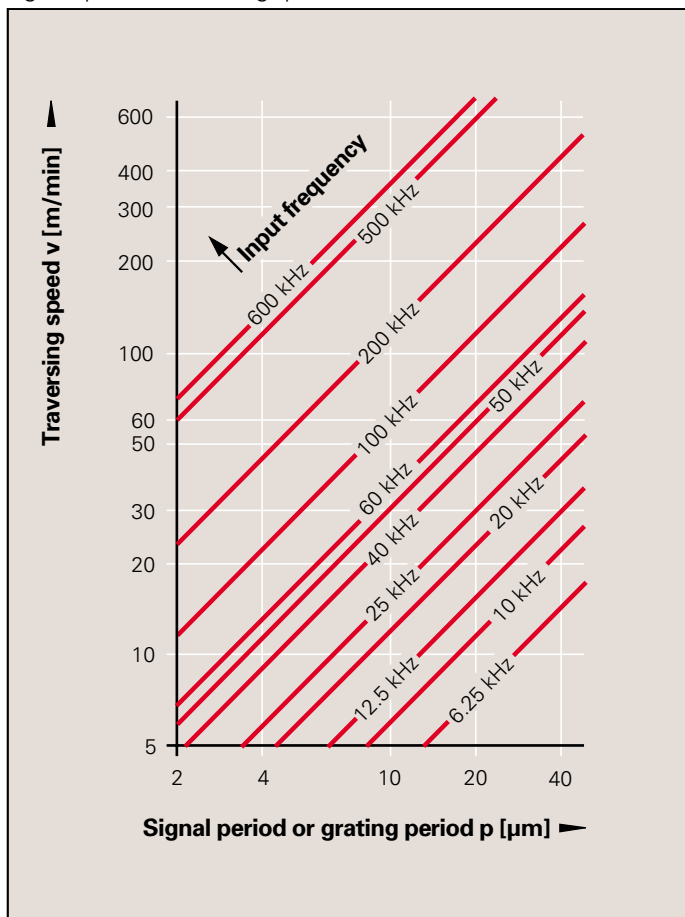
with rotary encoders:

$$n \text{ [rpm]} = \frac{f_i}{z} \times 6 \times 10^4$$

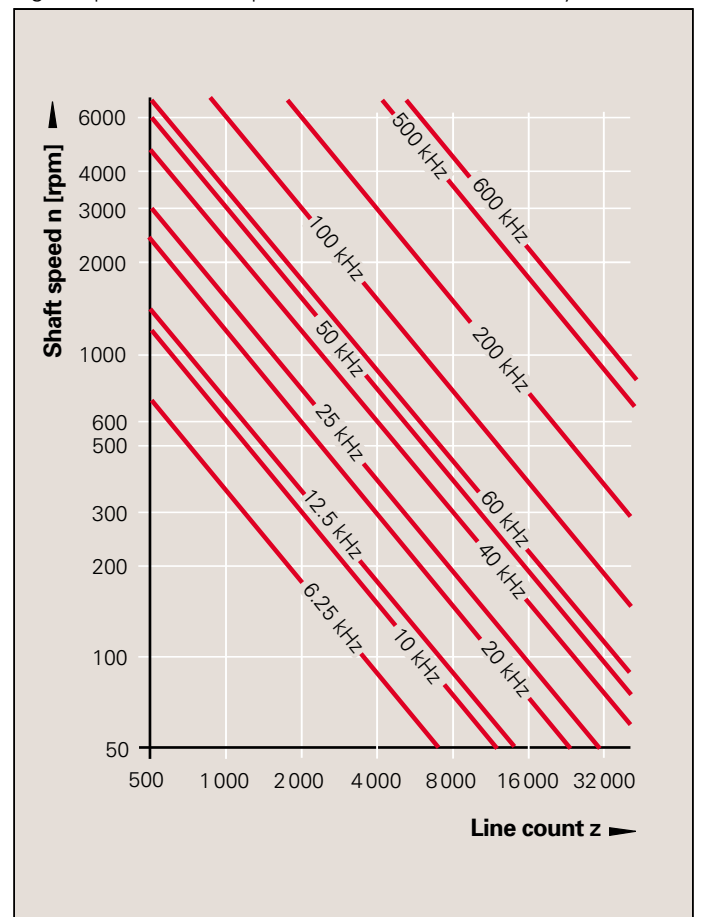
f_i maximum input frequency of the EXE/IBV in kHz

z line count of encoder

Input frequency f_i of the interpolation and digitizing electronics and highest possible traversing speeds v with incremental linear encoders



Input frequency f_i of the interpolation and digitizing electronics and highest possible shaft speeds n with incremental rotary encoders



Edge Separation a

As a rule, the electronics subsequent to the EXE can only evaluate signals whose edge separation between any two successive square-wave signals U_{a1} and U_{a2} does not fall below a certain value.

Minimum edge separation a_{\min} : the shortest time span between two successive edges of EXE output signals. The minimum edge separation is listed in the model overviews.

The edge separation may reach the minimum permissible value even when the encoders are nearly motionless (for example due to vibration). For this reason, the subsequent electronics must be able to process the selected minimum edge separation correctly, regardless of the input frequency of the EXE or IBV. You should calculate a safety margin of at least $20 \text{ ns} + 0.2 \text{ ns/m}$ for differences in transit time over the transmission distances, taking into account the length of the output cable.

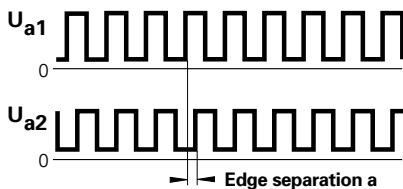
Clocked EXE/IBV

In the case of electronics with clocked output signals, the maximum input frequency and the edge separation are determined by the clock frequency f_r . The indicated values for the maximum input frequency thus represent an absolute functional limit. The edge separation can assume whole-number multiples of a_{\min} without dropping below the minimum value of a_{\min} .

To adjust the edge separation to the subsequent electronics, the time span between two successive edges can be varied. The maximum permissible input frequency changes correspondingly.

Non-clocked EXE/IBV

For electronics with non-clocked output signals, the minimum edge separation a_{\min} resulting from the maximum permissible input frequency is listed in the specifications. If the input frequency is reduced, the edge separation increases correspondingly.



Connection Recommendations

Connecting cable

- Encoder $\sim 11 \mu\text{A}_{\text{PP}}$ to EXE:
Use recommended HEIDENHAIN cable or double-shielded cable [3 (2 x 0.14 mm²) + (2 x 1.0 mm²)].
- Encoder $\sim 1 \text{V}_{\text{PP}}$ to IBV:
Use recommended HEIDENHAIN cable or single-shielded cable [4 (2 x 0.14 mm²) + (4 x 0.5 mm²)].
- EXE/IBV to subsequent electronics:
Use recommended HEIDENHAIN cable or single-shielded cable [4 (2 x 0.14 mm²) + (4 x 0.5 mm²)].
- Use original HEIDENHAIN connecting elements or metal connecting elements, preferably with insulating plastic covering.

Shielding

The housings of the connecting elements, terminal boxes and EXE or IBV must be connected to each other via the outer cable shield.

The cable shielding has the function of a potential compensating line. If compensating currents are to be expected within the total setup, a separate potential compensating line must be provided (> 6 mm² Cu).

Contact to the machine chassis is normally made at the machine mounting screws, on sealed linear encoders at the mounting block and scale unit. If the EXE or IBV unit is mounted on painted surfaces, provide metallic contact via the EXE/IBV grounding screw.

Cable configuration

When configuring the cable, take into account possible influences from sources of electromagnetic interference such as power cables, contactors, motors, magnetic valves, or stray magnetic fields from switch-mode power supplies. To ensure trouble-free operation, maintain a minimum clearance of 0.1 m (4 in.) between EXE/IBV connecting cables and sources of interference, and at least 0.2 m (8 in.) to inductors.

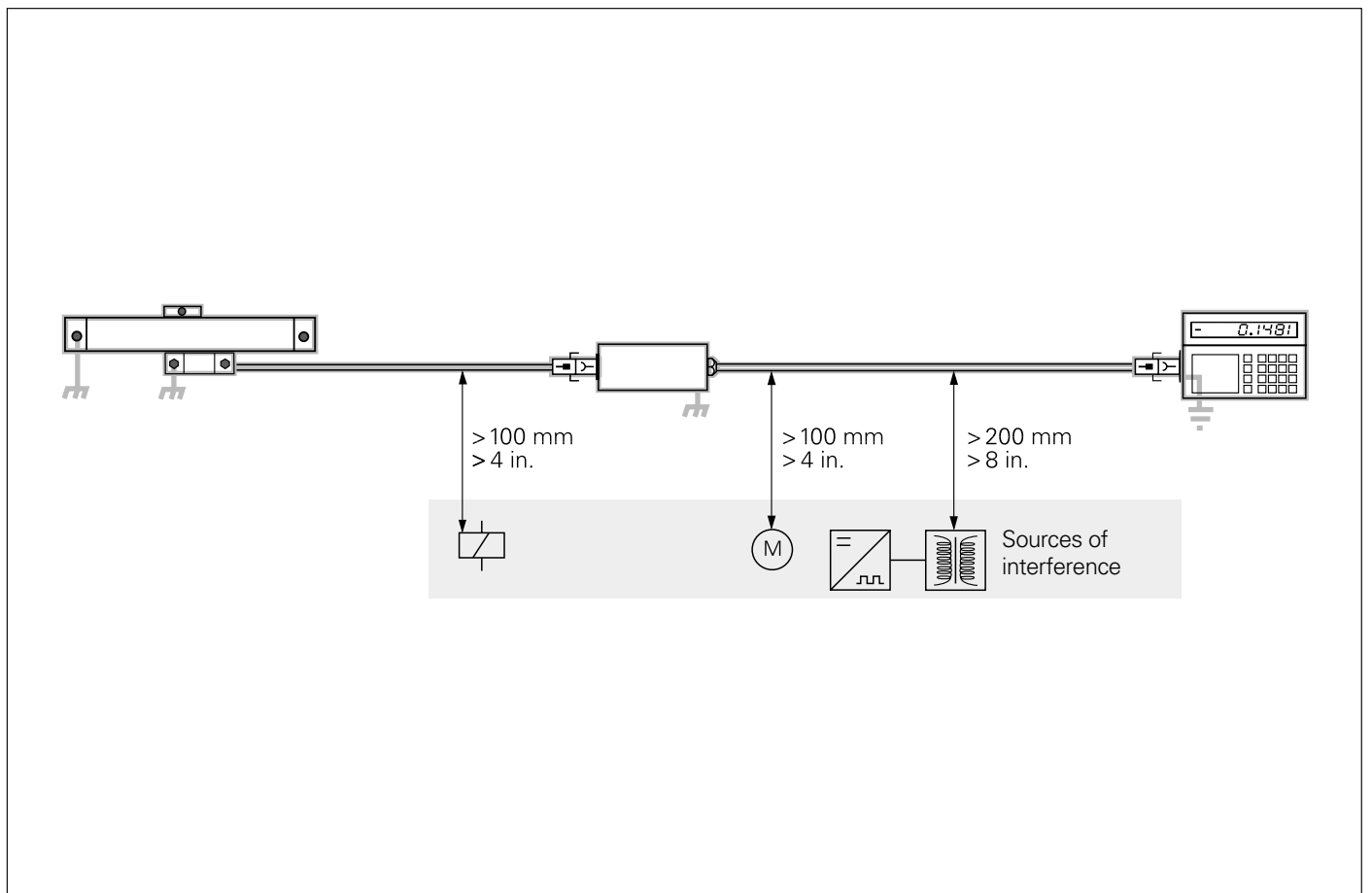
If a cable train contains connecting elements, take steps to prevent possible contact between the connector housings and other metal parts. Use original HEIDENHAIN cables and connecting elements with insulated housings.

Permissible bending radii for connecting cable without metal armor tubing

Cable	Permissible bending radius for	
	Frequent flexing	Rigid configuration
Dia. 8 mm (0.31 in.)	R ≥ 100 mm (4 in.)	R ≥ 40 mm (1.6 in.)
Dia. 6 mm (0.24 in.)	R ≥ 75 mm (3 in.)	R ≥ 20 mm (0.8 in.)
Dia. 4.5 mm (0.18 in.)	R ≥ 50 mm (2 in.)	R ≥ 10 mm (0.4 in.)

Permissible bending radii for connecting cable with metal armor tubing

Cable	Permissible bending radius for	
	Frequent flexing	Rigid configuration
Dia. 10 mm (0.39 in.)	R ≥ 75 mm (3 in.)	R ≥ 35 mm (1.4 in.)
Dia. 14 mm (0.55 in.)	R ≥ 100 mm (4 in.)	R ≥ 50 mm (2 in.)



EXE 600 Series – Model Overview

EXE Interpolation and Digitizing Electronics

Input: \sim 11 μ APP
Output: \square TTL

The EXE 600 series features one input for linear or angle encoders with 11 μ APP sinusoidal output signals.

These EXE units deliver TTL-compatible square-wave signals over a flange socket.

The necessary 5 V \pm 5 % power supply must be provided by the subsequent electronics.



Model	Interpolation	Input frequency f_i	Clock frequency f_r	Minimum edge separation a	
EXE 602E	Adjustable	Without	50 kHz	Non-clocked	2.5 μ s
		5-fold	25 kHz		0.5 μ s
EXE 610C	Adjustable	5-fold	50 kHz 25 kHz 12.5 kHz 6.25 kHz	2 MHz	1 μ s 2 μ s 4 μ s 8 μ s
		10-fold	50 kHz 25 kHz 12.5 kHz 6.25 kHz		0.5 μ s 1 μ s 2 μ s 4 μ s
EXE 612	Adjustable	5-fold	100 kHz 100 kHz 50 kHz 25 kHz	8 MHz	0.25 μ s 0.5 μ s 1 μ s 2 μ s
		10-fold	100 kHz 100 kHz 50 kHz 25 kHz		0.125 μ s 0.25 μ s 0.5 μ s 1 μ s
EXE 650B		50-fold	40 kHz 20 kHz 10 kHz 5 kHz	8 MHz	0.125 μ s 0.25 μ s 0.5 μ s 1 μ s
		25-fold	60 kHz 40 kHz 20 kHz 10 kHz	8 MHz	0.125 μ s 0.25 μ s 0.5 μ s 1 μ s
EXE 660B	Adjustable	25-fold	50 kHz 50 kHz 25 kHz 12.5 kHz	20 MHz	0.1 μ s 0.2 μ s 0.4 μ s 0.8 μ s
		50-fold	50 kHz 25 kHz 12.5 kHz 6.25 kHz		0.1 μ s 0.2 μ s 0.4 μ s 0.8 μ s
		100-fold	25 kHz 12.5 kHz 6.25 kHz 3.12 kHz		0.1 μ s 0.2 μ s 0.4 μ s 0.8 μ s
		200-fold	12.5 kHz 6.25 kHz 3.12 kHz 1.56 kHz		0.1 μ s 0.2 μ s 0.4 μ s 0.8 μ s
		400-fold	6.25 kHz 3.12 kHz 1.56 kHz 0.78 kHz		0.1 μ s 0.2 μ s 0.4 μ s 0.8 μ s

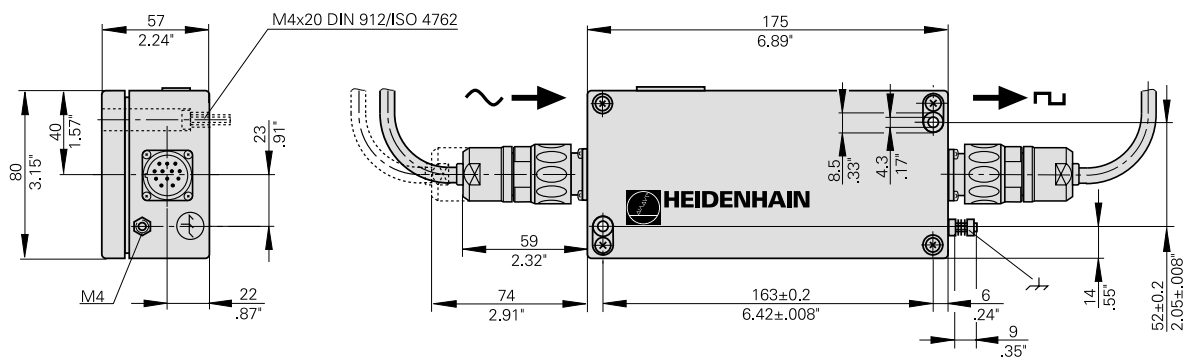
EXE 600 Series

■ Mechanical Data

Weight	Approx. 0.7 kg
Protection (IEC 529)	IP 65
Operating temperature	0 to 70° C (32 to 158° F)
Storage temperature	-30 to 80° C (-22 to 176° F)
Vibration (50 to 2000 Hz)	≤ 10 m/s ²
Shock (11 ms)	≤ 300 m/s ²

Dimensions

in mm/inches



Power supply

$U_P = 5\text{ V} \pm 5\%$

Current consumption

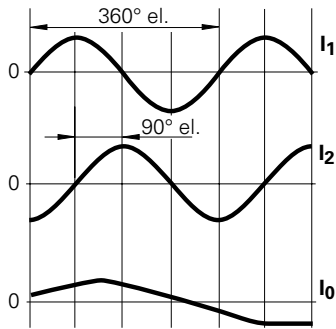
(without encoder light source or output load)

EXE 602E	typ. 55 mA, max. 90 mA
EXE 610C	typ. 65 mA, max. 100 mA
EXE 612	typ. 65 mA, max. 100 mA
EXE 650B	typ. 120 mA, max. 160 mA
EXE 660B	typ. 100 mA, max. 120 mA

With the recommended input circuitry for the subsequent electronics, the maximum permissible current consumption increases by $\Delta I = 80\text{ mA}$.

Input signals

Sinusoidal scanning signals — preferably from HEIDENHAIN linear and angle encoders.



Signal levels **I₁, I₂**: 7 to 16 μA_{PP}
I₀: 2 to 8.5 μA

Input frequency f_i : see Model Overview

Output signals

Incremental signals: Square-wave pulse trains U_{a1} and U_{a2} and their inverted pulse trains $\overline{U_{a1}}$ and $\overline{U_{a2}}$ (according to RS-422).

Edge separation a: see Model Overview

Reference signal: Square-wave pulse U_{a0} and its inverted pulse $\overline{U_{a0}}$.

Width: **EXE with interpolation**

Standard 90° el., switchable to 270° el.

EXE without interpolation

Standard 90° el., switchable to non-gated ($e > a/2$)

Fault-detection signal: Square-wave pulse $\overline{U_{aS}}$

Duration: **EXE 6xx** $t_s \geq 20\text{ ms}$

EXE 602E $t_s \geq 250\ \mu\text{s}$ or $t_s \geq 40\text{ ms}$ (switchable)

Tristate: With $\overline{U_{aS}} = \text{Low}$, outputs for U_{a1} , U_{a2} and $\overline{U_{a1}}$, $\overline{U_{a2}}$ can be switched to high impedance.

Standard setting: Tristate inactive, can be switched to active

Signal levels TTL-compatible

$U_{\text{High}} \geq 2.5\text{ V}$ at $-I_{\text{High}} \leq 20\text{ mA}$

$U_{\text{Low}} \leq 0.5\text{ V}$ at $I_{\text{Low}} \leq 20\text{ mA}$

Load capacity

$-I_{\text{High}} \leq 20\text{ mA}$

$I_{\text{Low}} \leq 20\text{ mA}$

$C_{\text{Load}} \leq 1000\text{ pF}$ against 0 V

Temporary short circuit of all outputs against 0 V permissible.

One output permanently short-circuit proof when $T_0 < 25^\circ\text{ C}$ (77° F).

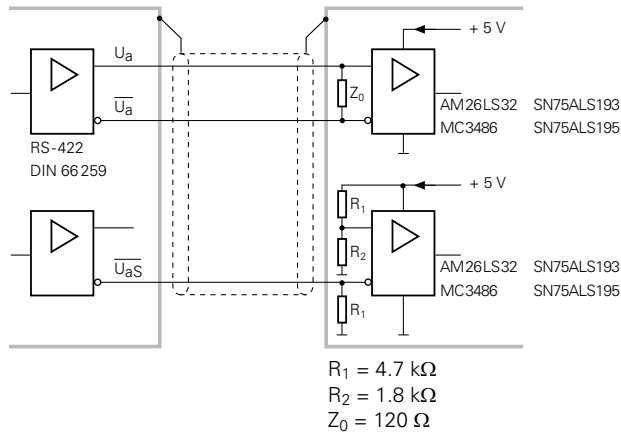
Switching times

With 1 m (3.3 ft) cable and recommended input circuitry of subsequent electronics:

Rise time $t_+ = \text{typ. } 10\text{ ns, max. } 30\text{ ns}$

Fall time $t_- = \text{typ. } 10\text{ ns, max. } 30\text{ ns}$

Recommended input circuitry of subsequent electronics



Permissible cable lengths

Input **EXE 6xx:** max. 30 m (100 ft) with HEIDENHAIN cable [3 (2 × 0.14 mm²) + (2 × 1.0 mm²)] when $I_{\text{encoder}} \leq 120 \text{ mA}$

EXE 612: max. 10 m (33 ft)

Output Max. 50 m (164 ft) with HEIDENHAIN cable [4 (2 × 0.14 mm²) + (4 × 0.5 mm²)] and recommended input circuitry of subsequent electronics. The supply voltage level — measured at the cable end via the sensor line — must be maintained.

Max. 20 m (66 ft) with minimum edge separation $a = 0.1 \mu\text{s}$ or $0.125 \mu\text{s}$

Pin layout – Output

(Colors valid for HEIDENHAIN cable)

12-pin flange socket (male)

	5	6	8	1	3	4	12	10	2	11	9	7	/
	U_{a1}	\overline{U}_{a1}	U_{a2}	\overline{U}_{a2}	U_{a0}	\overline{U}_{a0}	5 V (U _P)	0 V (U _N)	5 V Sensor*	0 V Sensor*	Vacant	\overline{U}_{aS}	1)
	Brown	Green	Gray	Pink	Red	Black	Brown/green	White/green	Blue	White	/	Violet	Yellow

* The sensor line is connected internally to the supply line.

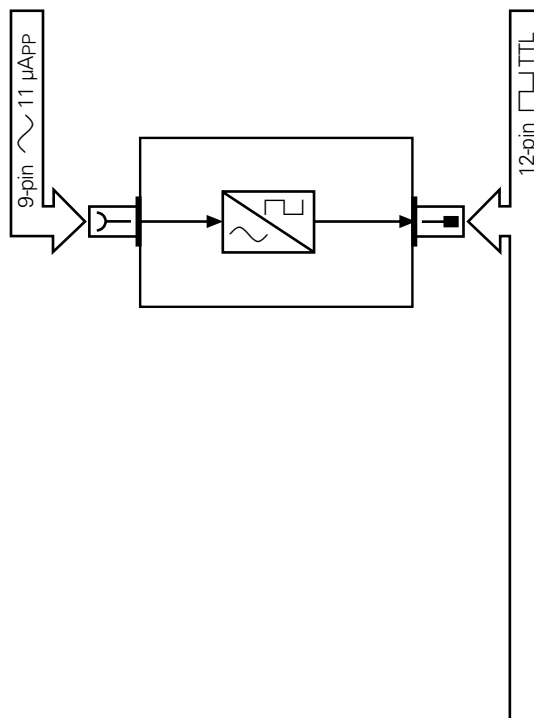
IEC 742 EN 50 178 Shield on housing

HEIDENHAIN connecting elements

Input

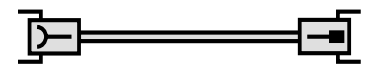
Cable and connector 9-pin, see HEIDENHAIN catalogs "Rotary Encoders," "Angle Encoders," "Exposed Linear Encoders," "Sealed Linear Encoders"

EXE 600

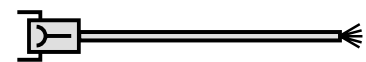


Output

Cable 12-pin Complete with connector (female) and connector (male), Id.-Nr. 298 399-xx



With one connector (female) Id.-Nr. 309 777-xx



Cable only PUR [4(2 × 0.14 mm²) + (4 × 0.5 mm²)] Id.-Nr. 244 957-01



Connector (female) 12-pin Id.-Nr. 291 697-05



EXE 900 Series – Model Overview

EXE Interpolation and Digitizing Electronics

Input: \sim 11 μ A_{pp}
Output: \square TTL

The EXE 900 series features an integral primary-clocked power supply (85 to 265 V AC).

Versions are available for one to a maximum of three incremental linear or angle encoders with sinusoidal output signals and a signal level of 11 μ A_{pp}. The standard output signals of the EXE 900 series are TTL-compatible square-wave signals (one for each encoder connected).

Additional flange sockets can be specified, providing one additional TTL signal for each encoder input. As a further option, the sinusoidal input signals can be output again.

Encoder inputs	Model	Interpolation	Input frequency f_i	Clock frequency f_r	Minimum edge separation a	Outputs per input			
1	EXE 914	25-fold	60 kHz	8 MHz	0.125 μ s	1 TTL Option: + 1 TTL + 1 \sim			
			40 kHz						
20 kHz									
10 kHz									
2	EXE 922	Without	50 kHz	Non-clocked	2.5 μ s	1 TTL Option: + 1 TTL + 1 \sim			
			5-fold				50 kHz	2 MHz	1 μ s
							25 kHz		2 μ s
	10-fold	12.5 kHz	0.5 μ s	4 μ s					
		6.25 kHz		8 μ s					
EXE 924	25-fold	60 kHz	40 kHz	8 MHz	0.125 μ s	1 TTL Option: + 1 TTL + 1 \sim			
			20 kHz						
3	EXE 932	See EXE 922							
	EXE 934	See EXE 924							
	EXE 935	50-fold	40 kHz	8 MHz	0.125 μ s	1 TTL Option: + 1 TTL + 1 \sim			
20 kHz									
10 kHz									
5 kHz									



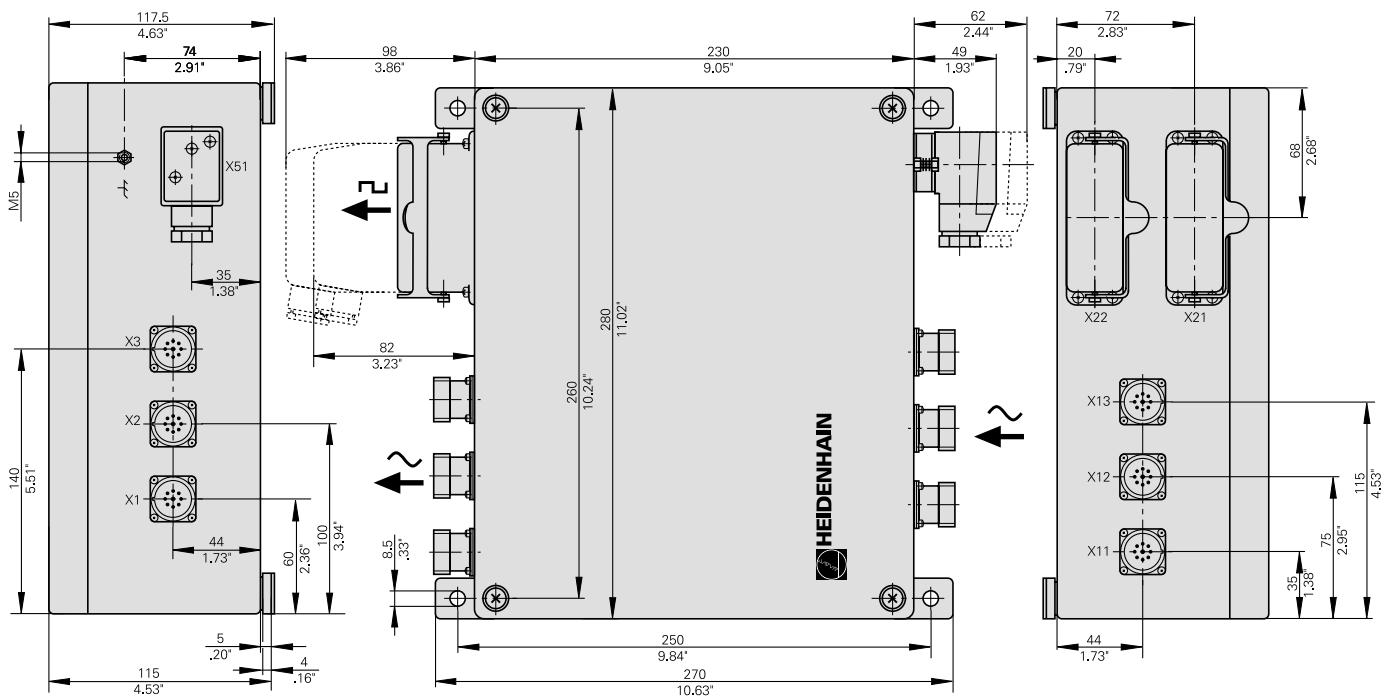
EXE 900 Series

■ Mechanical Data

Weight	Approx. 5.0 kg
Protection (IEC 529)	IP 65
Operating temperature	0 to 45° C (32 to 113° F)
Storage temperature	-30 to 80° C (-22 to 176° F)
Vibration (50 to 2000 Hz)	≤ 10 m/s ²
Shock (11 ms)	≤ 300 m/s ²

Dimensions

in mm/inches



Power supply

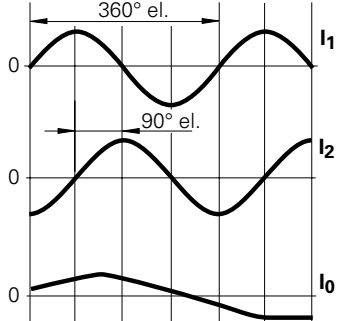
Incorporated primary-clocked power supply
85 to 265 V AC
48 to 62 Hz

Power consumption

Max. 15 VA

Input signals

Sinusoidal scanning signals — preferably from HEIDENHAIN linear and angle encoders.

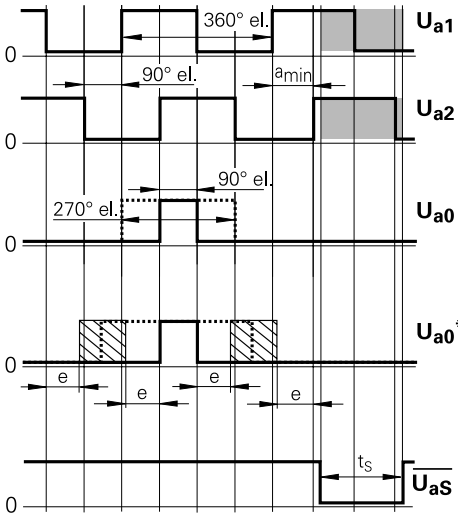


Signal levels **I₁, I₂**: 7 to 16 μ A_{PP}
I₀: 2 to 8.5 μ A

Input frequency f_i: see Model Overview

Total current consumption of all connected encoders: max. 700 mA

Output signals



Incremental signals: Square-wave pulse trains U_{a1} and U_{a2} and their inverted pulse trains $\overline{U_{a1}}$ and $\overline{U_{a2}}$ (according to RS-422).

Edge separation **a**: see Model Overview

Reference signal: Square-wave pulse U_{a0} and its inverted pulse $\overline{U_{a0}}$.
Width: **EXE with interpolation**
Standard 90° el., switchable to 270° el.

EXE without interpolation
Standard 90° el., switchable to non-gated ($e > a/2$)

Fault-detection signal: Square-wave pulse $\overline{U_{aS}}$ (U_{aS} is also provided).
Duration: $t_s \geq 20$ ms

Tristate: With $\overline{U_{aS}} = \text{Low}$, outputs for U_{a1} , U_{a2} and $\overline{U_{a1}}$, $\overline{U_{a2}}$ can be switched to high impedance.
Standard setting: Tristate inactive, can be switched to active

Signal levels TTL-compatible

$$U_{\text{High}} \geq 2.5 \text{ V at } -I_{\text{High}} \leq 20 \text{ mA}$$

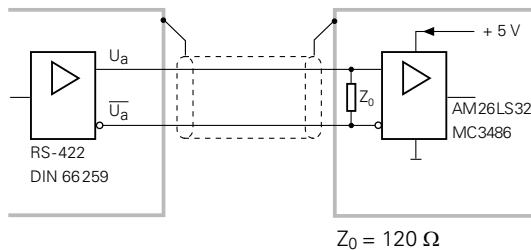
$$U_{\text{Low}} \leq 0.5 \text{ V at } I_{\text{Low}} \leq 20 \text{ mA}$$

Load capacity $-I_{\text{High}} \leq 20 \text{ mA}$
 $I_{\text{Low}} \leq 20 \text{ mA}$
 $C_{\text{Load}} \leq 1000 \text{ pF against } 0 \text{ V}$
Temporary short circuit of all outputs against 0 V permissible.
One output permanently short-circuit proof when $T_0 < 25^\circ \text{ C (77^\circ F)}$.

Switching times With 1 m (3.3 ft) cable and recommended input circuitry of subsequent electronics:
Rise time $t_+ = \text{typ. } 10 \text{ ns, max. } 30 \text{ ns}$
Fall time $t_- = \text{typ. } 10 \text{ ns, max. } 30 \text{ ns}$

Recommended input circuitry of subsequent electronics

Square-wave signals



SN 75 ALS 193
SN 75 ALS 195

Sinusoidal signals see encoder specifications

zulässige Kabellängen

Input	max. 30 m with HEIDENHAIN cable [3 (2 × 0.14 mm ²) + (2 × 1.0 mm ²)]
TTL output	max. 50 m (164 ft) with HEIDENHAIN cable [25 × 0.34 mm ²] and recommended input circuitry of subsequent electronics, max. 20 m (66 ft) with minimum edge separation a = 0.125 μs
~output	max. 30 m (100 ft) with HEIDENHAIN cable [3 (2 × 0.14 mm ²) + (2 × 1.0 mm ²)]

Pin layout – Output

(Colors valid for HEIDENHAIN cable)

25-pin flange socket (female)

X1								X2								X3								*	
B2	A1	A2	C1	C2	B3	B4	A3	A4	C3	C4	B5	B6	A5	A6	C5	C6	B7	B8	A7	A8	C7	A9	C8	C9	
$\overline{U_{a1}}$	U_{a1}	$\overline{U_{a2}}$	U_{a2}	$\overline{U_{a0}}$	U_{a0}	$\overline{U_{aS}}$	U_{aS}	$\overline{U_{a1}}$	U_{a1}	$\overline{U_{a2}}$	U_{a2}	$\overline{U_{a0}}$	U_{a0}	$\overline{U_{aS}}$	U_{aS}	$\overline{U_{a1}}$	U_{a1}	$\overline{U_{a2}}$	U_{a2}	$\overline{U_{a0}}$	U_{a0}	$\overline{U_{aS}}$	U_{aS}	U_{aN}	
White	Brown	Green	Yellow	Gray	Pink	Blue	Red	Black	Violet	Gray/pink	Red/blue	White/green	Brown/green	White/yellow	Yellow/brown	White/gray	Gray/brown	White/pink	Pink/brown	White/blue	Brown/blue	White/red	Brown/red	White/black	

* U_{aN} Reference potential for signals.

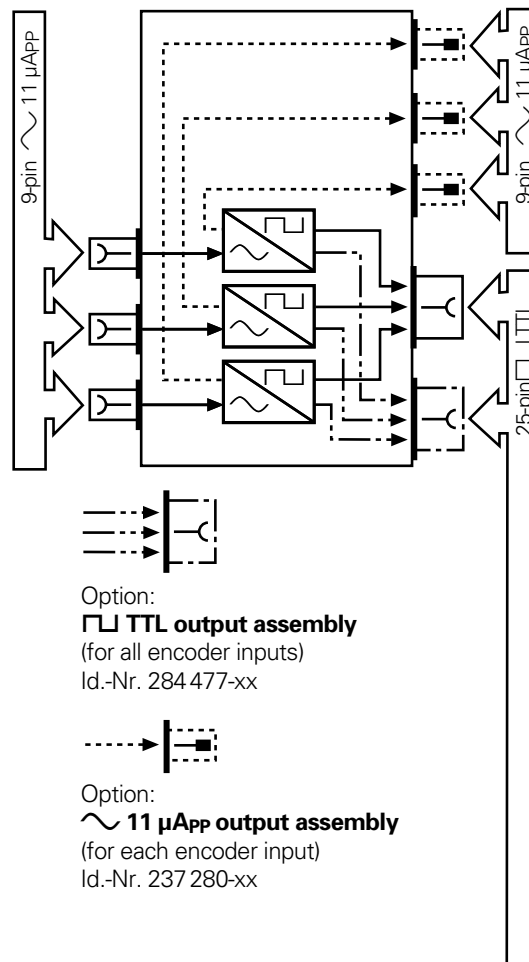
Shield on housing

HEIDENHAIN connecting elements

Input

Cable and connector 9-pin,
see HEIDENHAIN catalogs
"Rotary Encoders,"
"Angle Encoders,"
"Exposed Linear Encoders,"
"Sealed Linear Encoders"

EXE 900

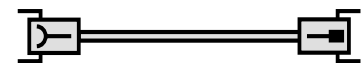


Option:
□ TTL output assembly
(for all encoder inputs)
Id.-Nr. 284 477-xx

Option:
~ 11 μApp output assembly
(for each encoder input)
Id.-Nr. 237 280-xx

Output

Cable 9-pin
Complete with connector (female) and connector (male)
Id.-Nr. 309 773-xx



Cable 25-pin
Complete with connector (male) and connector (female)
Id.-Nr. 207 620-xx



With one connector (male)
Id.-Nr. 209 009-xx



Cable only
PUR [25 × 0.34 mm²]
Id.-Nr. 209 991-01





Connector (female) 12-pin
Id.-Nr. 207 985-01



IBV 600 Series – Model Overview

IBV Interpolation and Digitizing Electronics

Input:  1 V_{PP}
Output:  TTL

The IBV 600 series features one input for incremental linear or angle encoders with sinusoidal output signals and a signal level of 1 V_{PP}.

IBV 600 models deliver TTL-compatible square-wave output signals over a flange socket.

The IBV 606 provides output signals at two flange sockets simultaneously. The connections inside the IBV 606 can be changed such that either one flange socket or both flange sockets deliver sinusoidal voltage signals with a signal level of 1 V_{PP} instead of square-wave output signals.

The necessary 5 V ± 5 % power supply must be provided by the subsequent electronics.



Model	Interpolation	Input frequency f _i	Clock frequency f _r	Minimum edge separation a	
IBV 600	Without	600 kHz	Non-clocked	0.2 μs	
IBV 606	2-fold	500 kHz	Non-clocked	0.15 μs	
IBV 610	Adjustable	5-fold	8 MHz	200 kHz 100 kHz 50 kHz 25 kHz	0.25 μs 0.5 μs 1 μs 2 μs
		10-fold		200 kHz 100 kHz 50 kHz 25 kHz	0.125 μs 0.25 μs 0.5 μs 1 μs
IBV 650	50-fold	40 kHz 20 kHz 10 kHz 5 kHz	8 MHz	0.125 μs 0.25 μs 0.5 μs 1 μs	
IBV 660B	Adjustable	25-fold	20 MHz	100 kHz 50 kHz 25 kHz 12.5 kHz	0.1 μs 0.2 μs 0.4 μs 0.8 μs
		50-fold		50 kHz 25 kHz 12.5 kHz 6.25 kHz	0.1 μs 0.2 μs 0.4 μs 0.8 μs
		100-fold		25 kHz 12.5 kHz 6.25 kHz 3.12 kHz	0.1 μs 0.2 μs 0.4 μs 0.8 μs
		200-fold		12.5 kHz 6.25 kHz 3.12 kHz 1.56 kHz	0.1 μs 0.2 μs 0.4 μs 0.8 μs
		400-fold		6.25 kHz 3.12 kHz 1.56 kHz 0.78 kHz	0.1 μs 0.2 μs 0.4 μs 0.8 μs

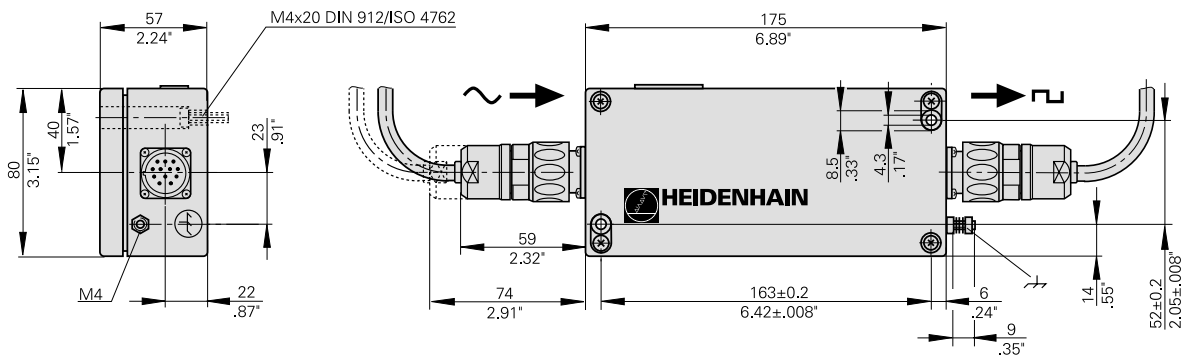
IBV 600 Series

Mechanical Data

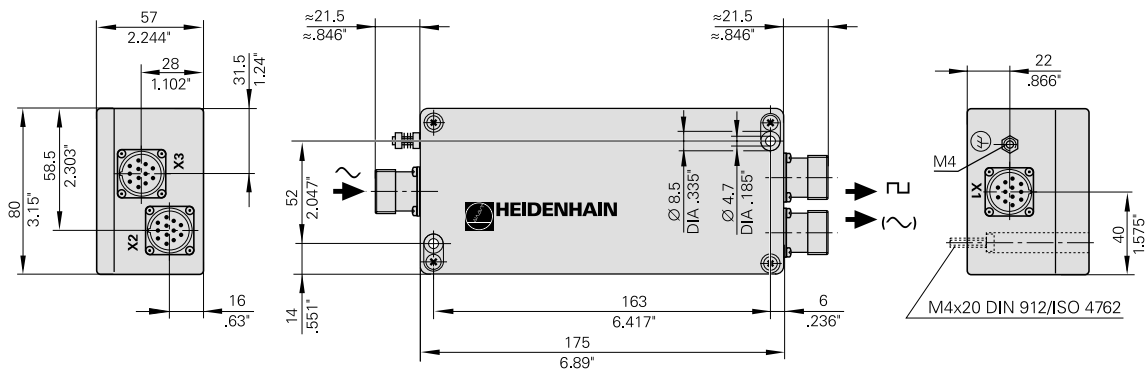
Weight	Approx. 0.7 kg
Protection (IEC 529)	IP 65
Operating temperature	0 to 70° C (32 to 158° F)
Storage temperature	-30 to 80° C (-22 to 176° F)
Vibration (50 to 2000 Hz)	≤ 10 m/s ²
Shock (11 ms)	≤ 300 m/s ²

Dimensions

in mm/inches



IBV 606



Power supply

$U_P = 5\text{ V} \pm 5\%$

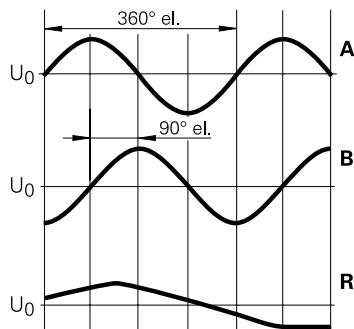
Current consumption

(Without encoder light source or output load)

IBV 600	typ. 50 mA, max. 85 mA
IBV 610	typ. 65 mA, max. 110 mA
IBV 650	typ. 120 mA, max. 160 mA
IBV 660 B	typ. 100 mA, max. 120 mA

With the recommended input circuitry for the subsequent electronics, the maximum permissible current consumption increases by $\Delta I = 80\text{ mA}$.

Input signals

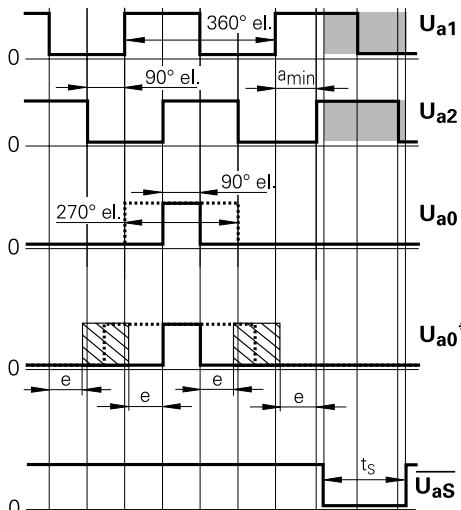


Sinusoidal scanning signals — preferably from HEIDENHAIN linear and angle encoders.

Signal levels **A, B:** 0.6 to 1.2 V_{PP}
R: 0.2 to 0.85 V

Input frequency f_i : see Model Overview

Output signals



Incremental signals: Square-wave pulse trains U_{a1} and U_{a2} and their inverted pulse trains $\overline{U_{a1}}$ and $\overline{U_{a2}}$ (according to RS-422).

Edge separation **a**: see Model Overview

Reference signal: Square-wave pulse U_{a0} and its inverted pulse $\overline{U_{a0}}$.

Width: **IBV with interpolation**
Standard 90° el., switchable to 270° el.

IBV without interpolation

Standard 90° el., switchable to non-gated ($e > a/2$)

Fault-detection signal: Square-wave pulse $\overline{U_{aS}}$

Duration: $t_s \geq 20\text{ ms}$

Tristate: With $\overline{U_{aS}} = \text{Low}$, outputs for U_{a1} , U_{a2} and $\overline{U_{a1}}$, $\overline{U_{a2}}$ can be switched to high impedance.

Standard setting: Tristate inactive, can be switched to active

Signal levels TTL-compatible

$U_{\text{High}} \geq 2.5\text{ V}$ at $-I_{\text{High}} \leq 20\text{ mA}$

$U_{\text{Low}} \leq 0.5\text{ V}$ at $I_{\text{Low}} \leq 20\text{ mA}$

Load capacity

$-I_{\text{High}} \leq 20\text{ mA}$

$I_{\text{Low}} \leq 20\text{ mA}$

$C_{\text{Load}} \leq 1000\text{ pF}$ against 0 V

Temporary short circuit of all outputs against 0 V permissible.

One output permanently short-circuit proof when $T_0 < 25^\circ\text{ C}$ (77° F).

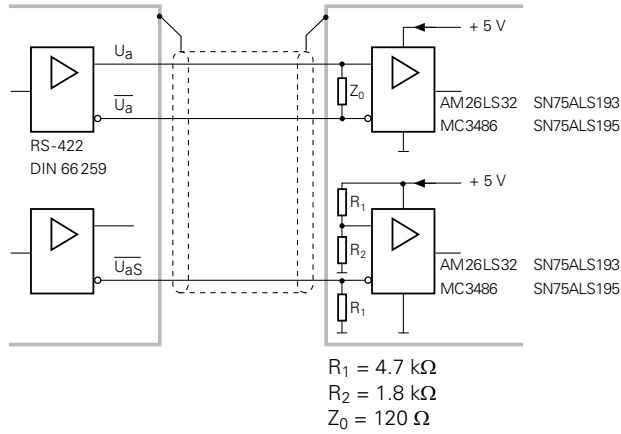
Switching times

With 1 m (3.3 ft) cable and recommended input circuitry of subsequent electronics:

Rise time $t_+ = \text{typ. } 10\text{ ns, max. } 30\text{ ns}$

Fall time $t_- = \text{typ. } 10\text{ ns, max. } 30\text{ ns}$

Recommended input circuitry of subsequent electronics



Permissible cable lengths

Input **Up > 4.75 V:** max. 30 m (100 ft) with HEIDENHAIN cable [4 (2 × 0.14 mm²) + (4 × 0.5 mm²)] when I_{encoder} ≤ 120 mA

Up > 4.9 V: max. 60 m (200 ft)

Output max. 50 m (164 ft) with HEIDENHAIN cable [4 (2 × 0.14 mm²) + (4 × 0.5 mm²)] and recommended input circuitry of subsequent electronics. The supply voltage level — measured at the cable end via the sensor line — must be maintained. Max. 20 m (66 ft) with minimum edge separation a ≤ 0.125 μs

Pin layout — Output

(Colors valid for HEIDENHAIN cable)

12-pin flange socket (male)

	5	6	8	1	3	4	12	10	2	11	9	7	/
	U _{a1}	U _{a1}	U _{a2}	U _{a2}	U _{a0}	U _{a0}	5 V* (U _P)	0 V* (U _N)	5 V Sensor	0 V Sensor	Vacant	U _{aS}	Vacant
	Brown	Green	Gray	Pink	Red	Black	Brown/green	White/green	Blue	White	/	Violet	Yellow

The sensor line is connected internally to the supply line
*With IBV 606: Power supply at X2 only.

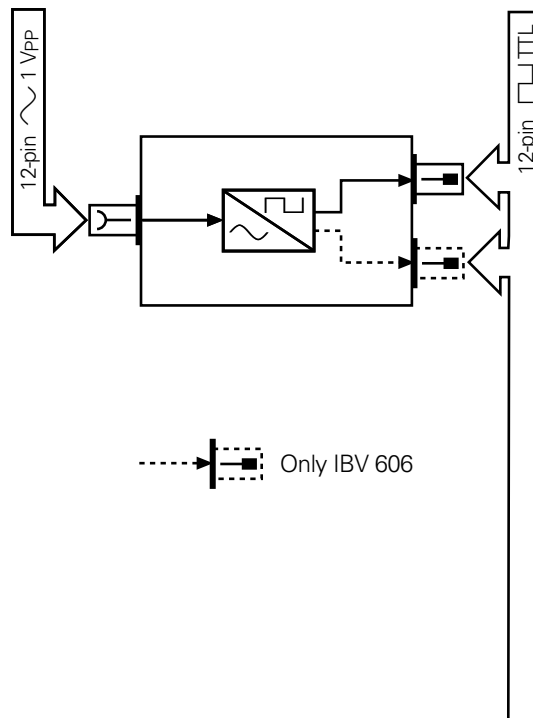
IEC 742 EN 50 178 Shield on housing

HEIDENHAIN connecting elements

Input

Cable and connector 12-pin, see HEIDENHAIN catalogs "Rotary Encoders," "Angle Encoders," "Exposed Linear Encoders," "Sealed Linear Encoders"

IBV 600



Output

- Cable** 12-pin Complete with connector (female) and connector (male) Id.-Nr. 298 399-xx
-
- With one connector (female) Id.-Nr. 309 777-xx
-
- Cable only PUR [4(2 × 0.14 mm²) + (4 × 0.5 mm²)] Id.-Nr. 244 957-01
-
- Connector** (male) 12-pin Id.-Nr. 291 697-05
-