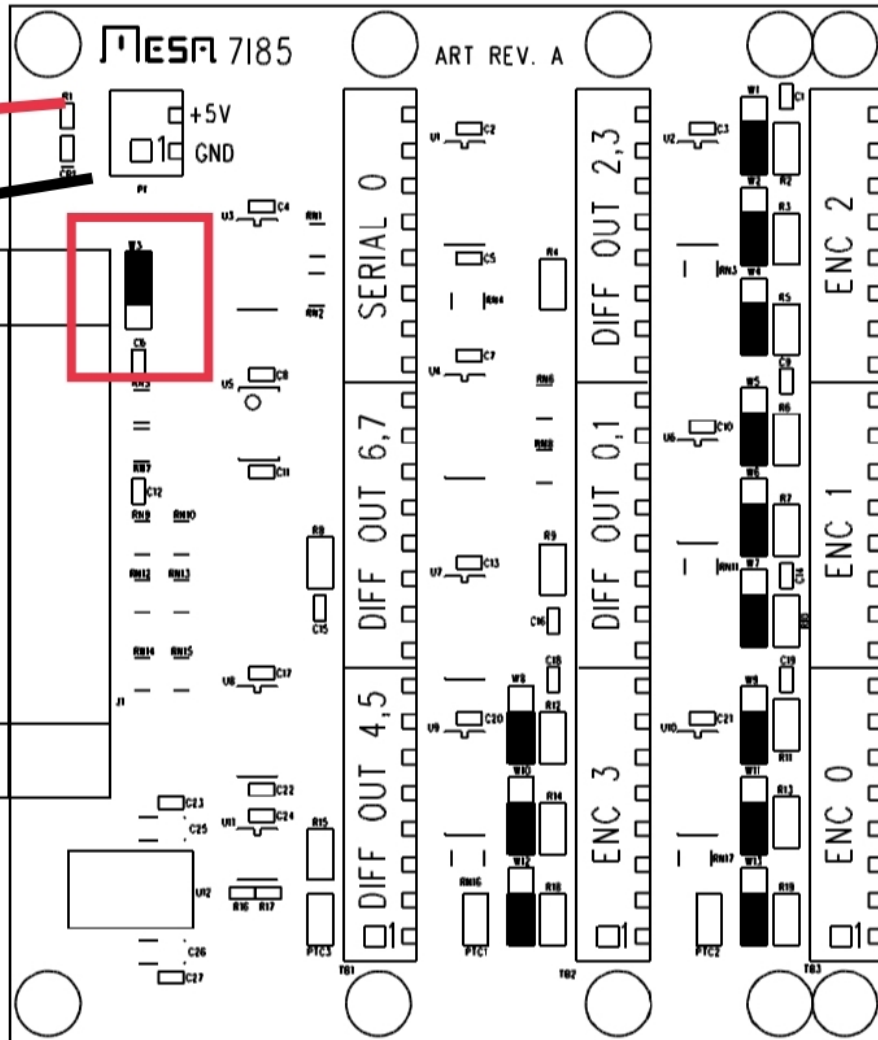


5v power from power supply

P1 TB1 TB2 TB3



test with mutimeter