
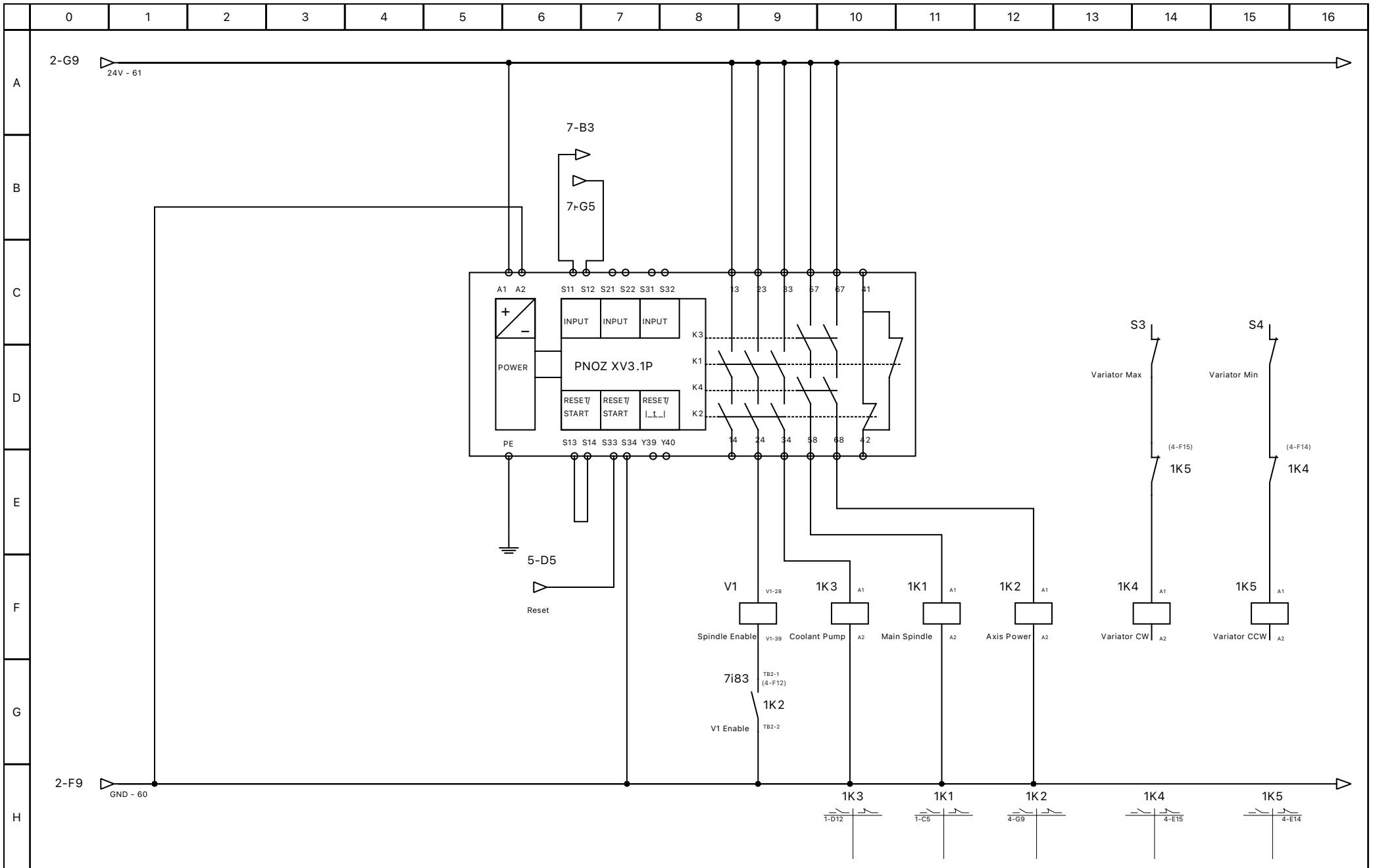

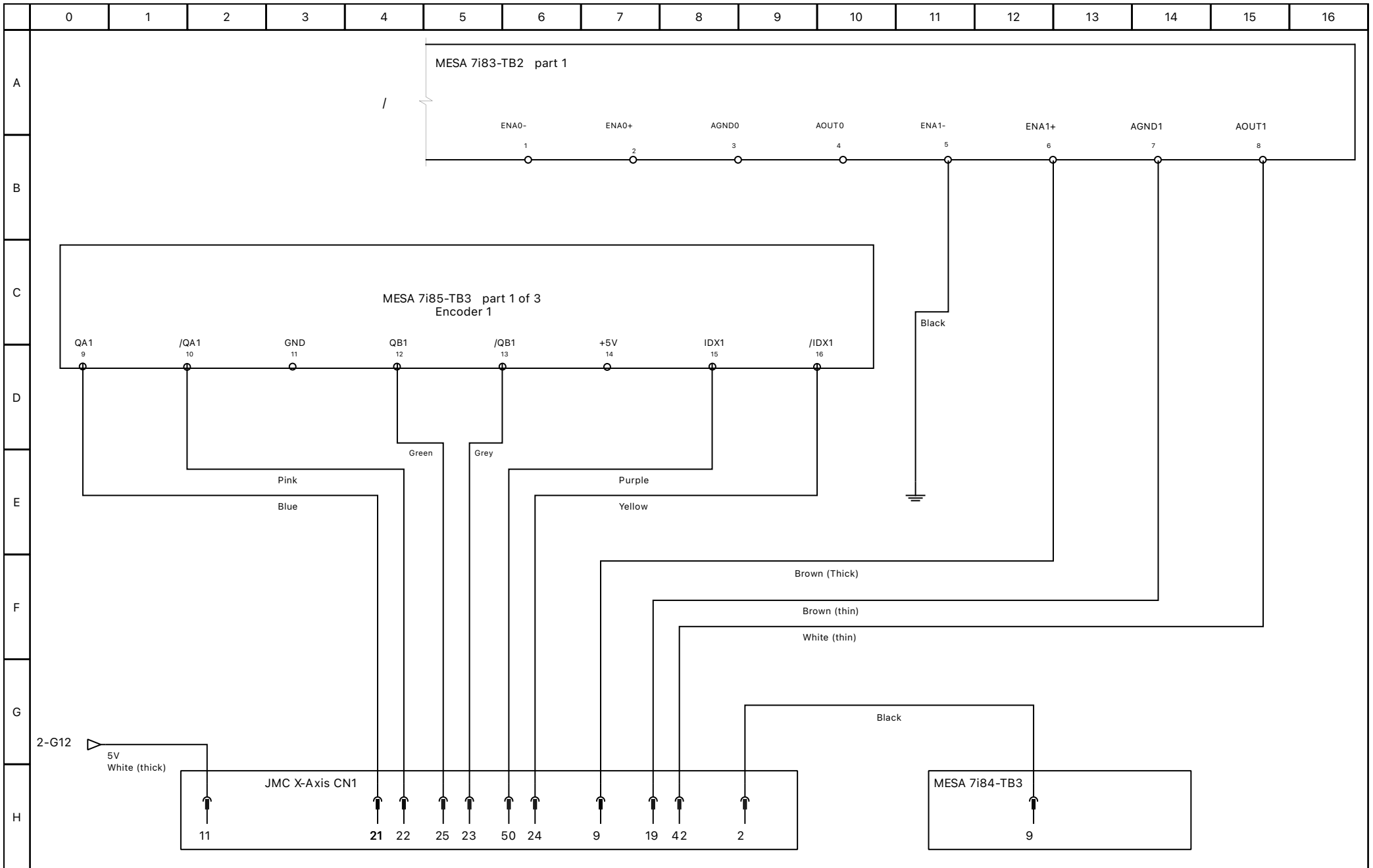



		% {department}		% {ref}		RotarySMP		% {approval}		
				% {owner}		% {type}		status: % {status}		% {code}
						Drive motor power		% {name}		
						% {rev}	24.02.22		% {country}	3/12



	%{department}	%{ref}	RotarySMP	%{approval}	
			%{type}	status: %{status}	%{code}
		%{owner}	Pnoz safety relay	%{name}	
				%{rev}	22.02.22



		% {department}		% {ref}		RotarySMP		% {approval}		
		 % {owner}				% {type}		status: % {status}		% {code}
						X axis control		% {name}		
						% {rev}		05.08.22		% {country} 10/12

