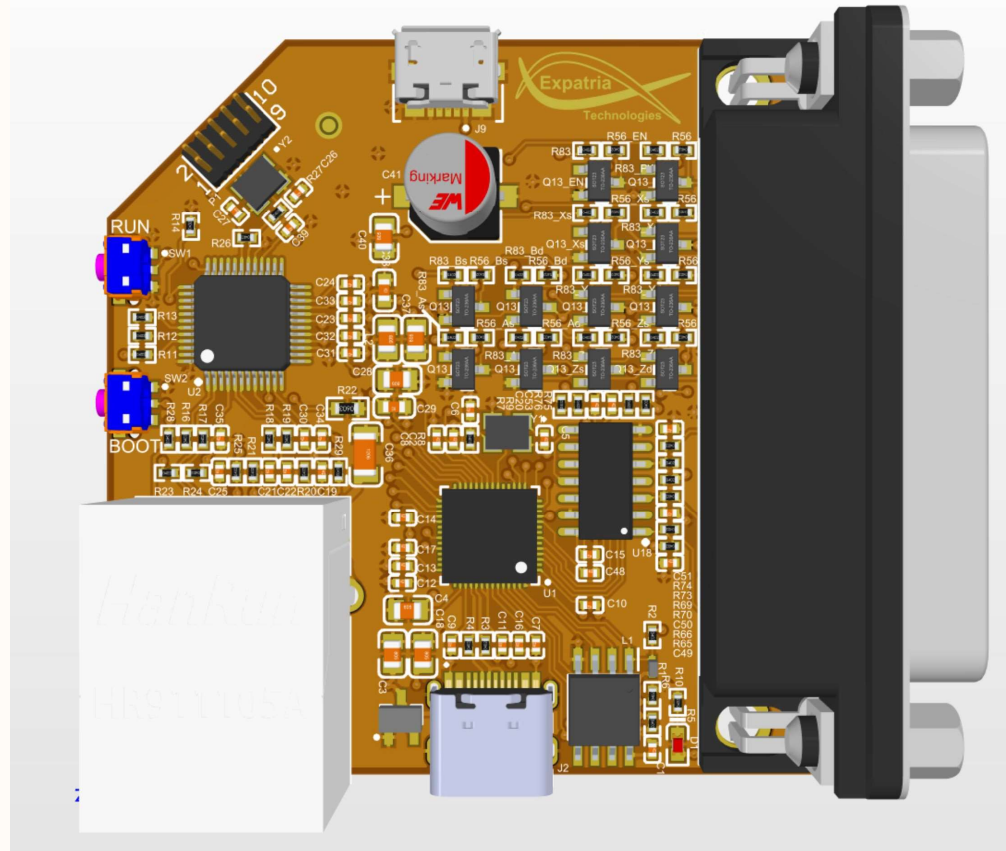


PicoBOB Deluxe

PicoBOB_PCBA
RasBOB_Board.SchDoc



Mechanical

PCB
LOGO
Expatria Technologies

ZZ1
Assembly Note
These assemblies are ESD sensitive, ESD precautions shall be observed.

ZZ2
Assembly Note
These assemblies must be clean and free from flux and all contaminants. Use of no clean flux is not acceptable.

ZZ3
Assembly Note
These assemblies must comply with workmanship standards IPC-A-610 Class 2, unless otherwise specified.

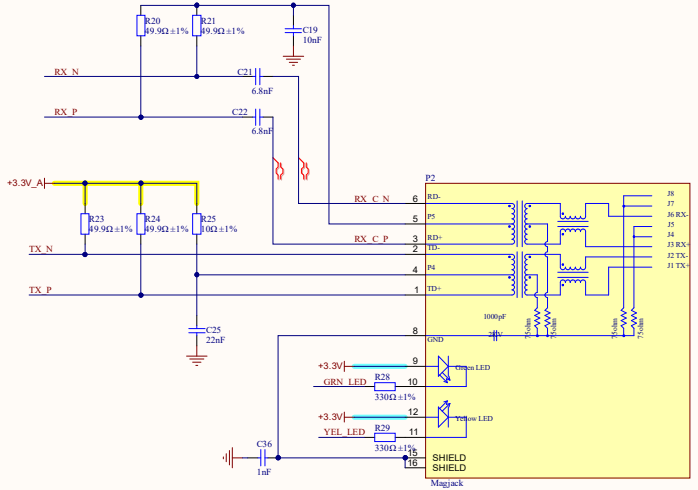
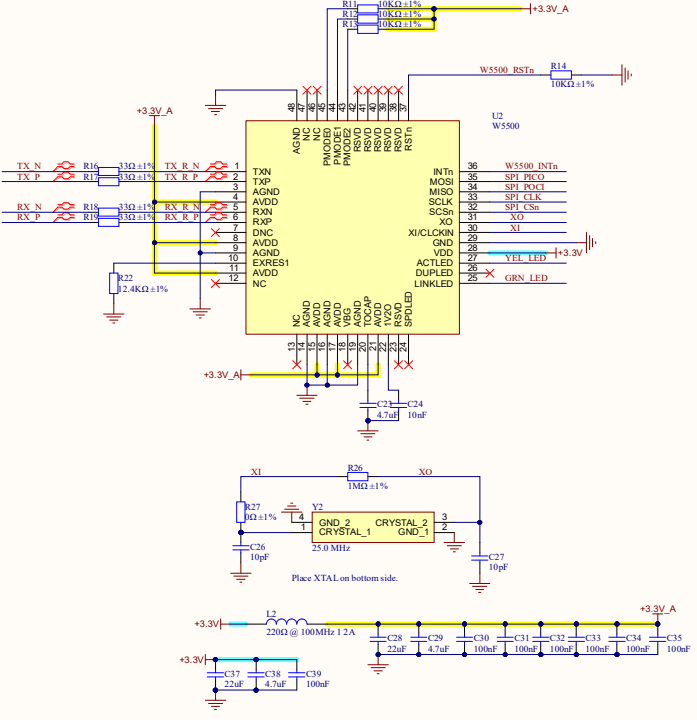
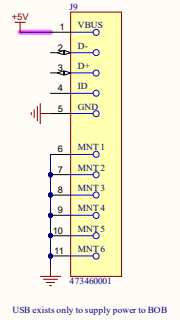
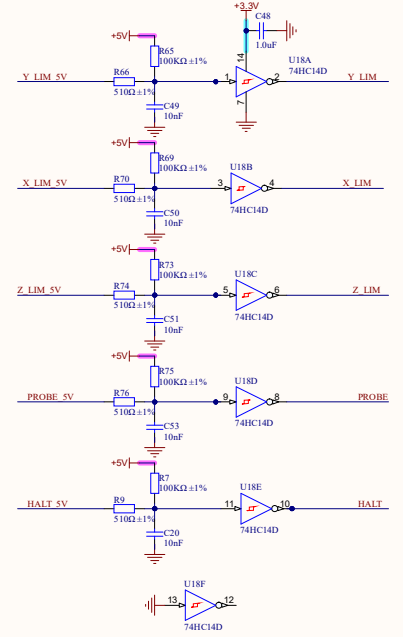
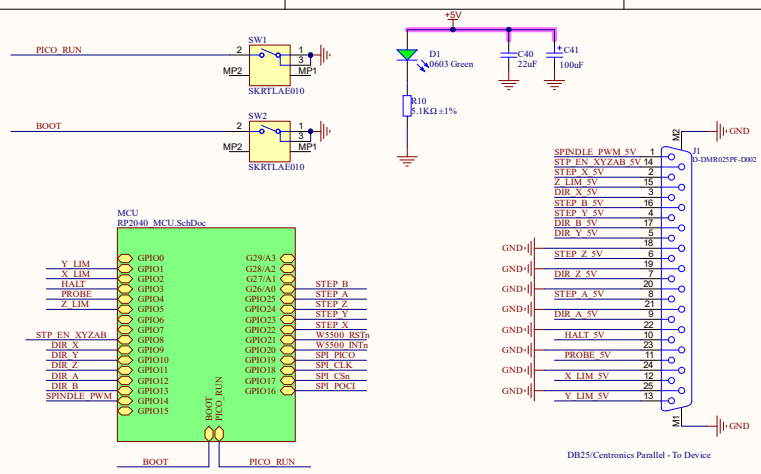
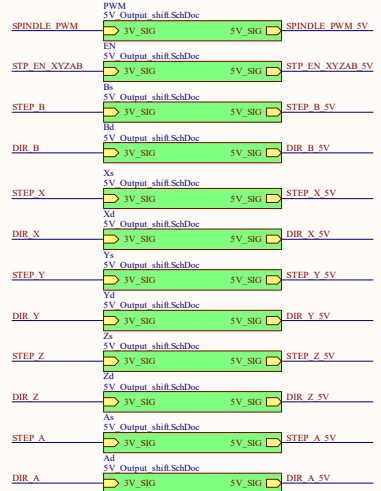
Copyright Expatria Technologies
2022. This document describes Open
Hardware and is licensed under the
CERN-OHL-S v2. No warranty is
implied or expressed.



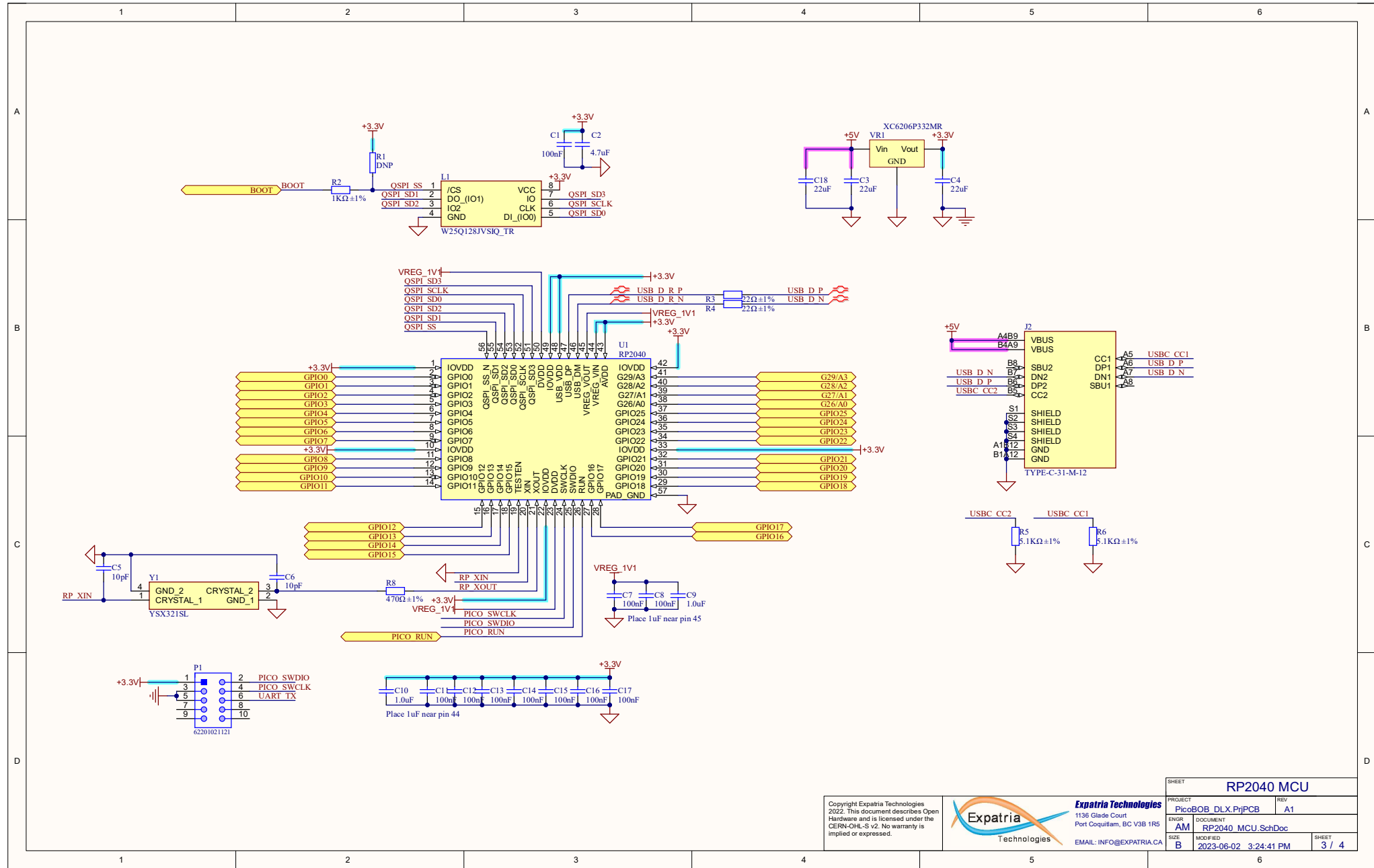
Expatria Technologies
1136 Glade Court
Port Coquitlam, BC V3B 1R5
EMAIL: INFO@EXPATRIA.CA

SHEET		Title Sheet	
PROJECT	PicoBOB_DLX.PrjPCB	REV	A1
ENGR	AM	DOCUMENT	Title Sheet.SchDoc
SIZE	B	MODIFIED	2023-06-02 3:24:40 PM
			SHEET 1 / 4

Pico BOB Deluxe



RP2040 CNC Controller			
PROJECT	PicoBOB_DLX_PnP	PCB	A1
ENGINEER	1136_Glenn_Court	FILE	Expatriatronics_BIC_V3B_IRS
DOC	AM	DOCUMENT	RP2040_CNC_Controller_Board_SchDoc
DATE	C	REVISED	2023-06-02
		SHEET	2 / 4

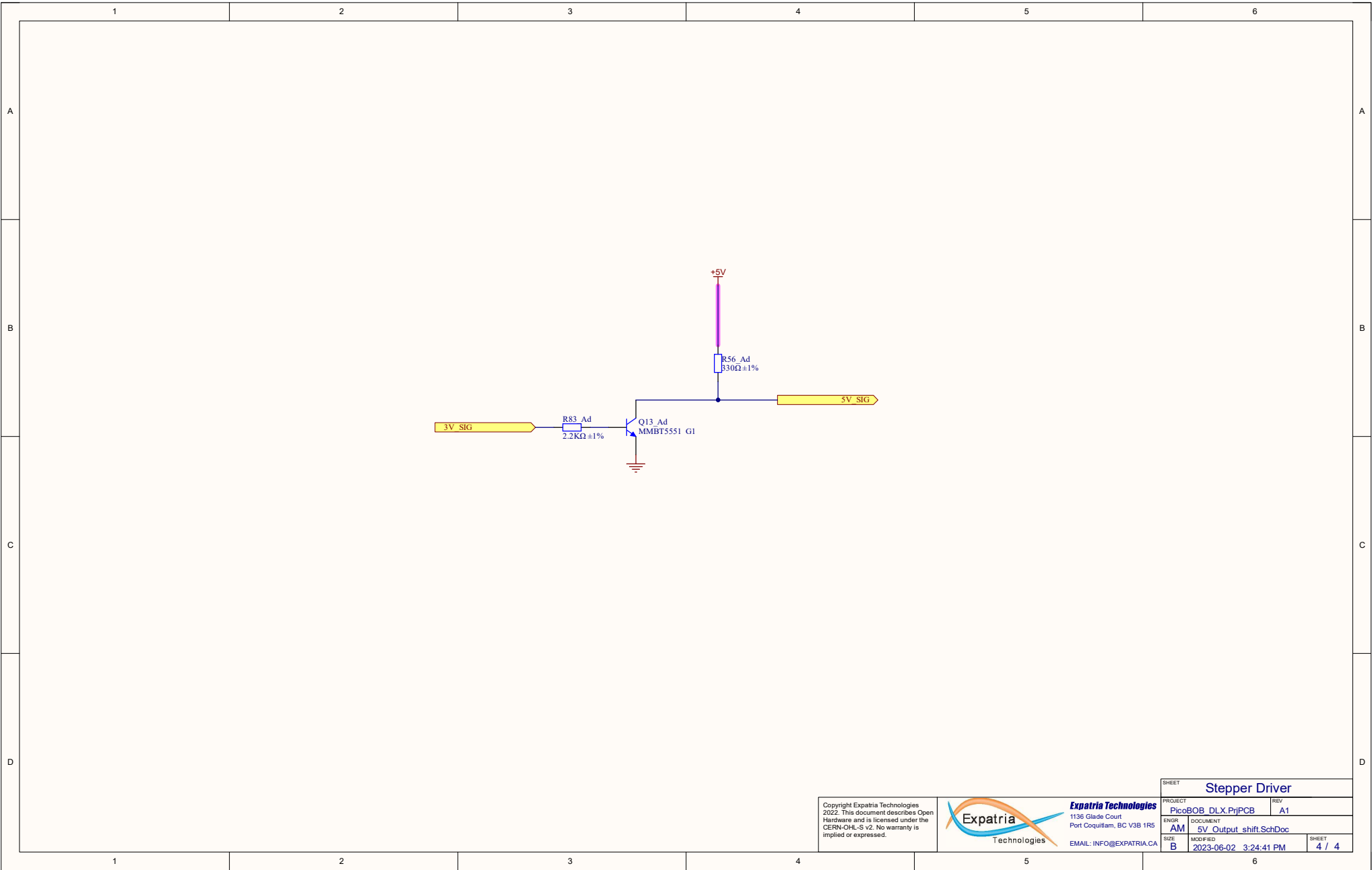


Copyright Expatia Technologies
 2022. This document describes Open
 Hardware and is licensed under the
 CERN-OHL-S v2. No warranty is
 implied or expressed.



Expatia Technologies
 1136 Glade Court
 Port Coquitlam, BC V3B 1R5
 EMAIL: INFO@EXPATRIA.CA

SHEET		RP2040 MCU	
PROJECT	PicoBOB_DLX.PrjPCB	REV	A1
ENGR	AM	DOCUMENT	RP2040 MCU.SchDoc
SIZE	B	MODIFIED	2023-06-02 3:24:41 PM
			SHEET 3 / 4

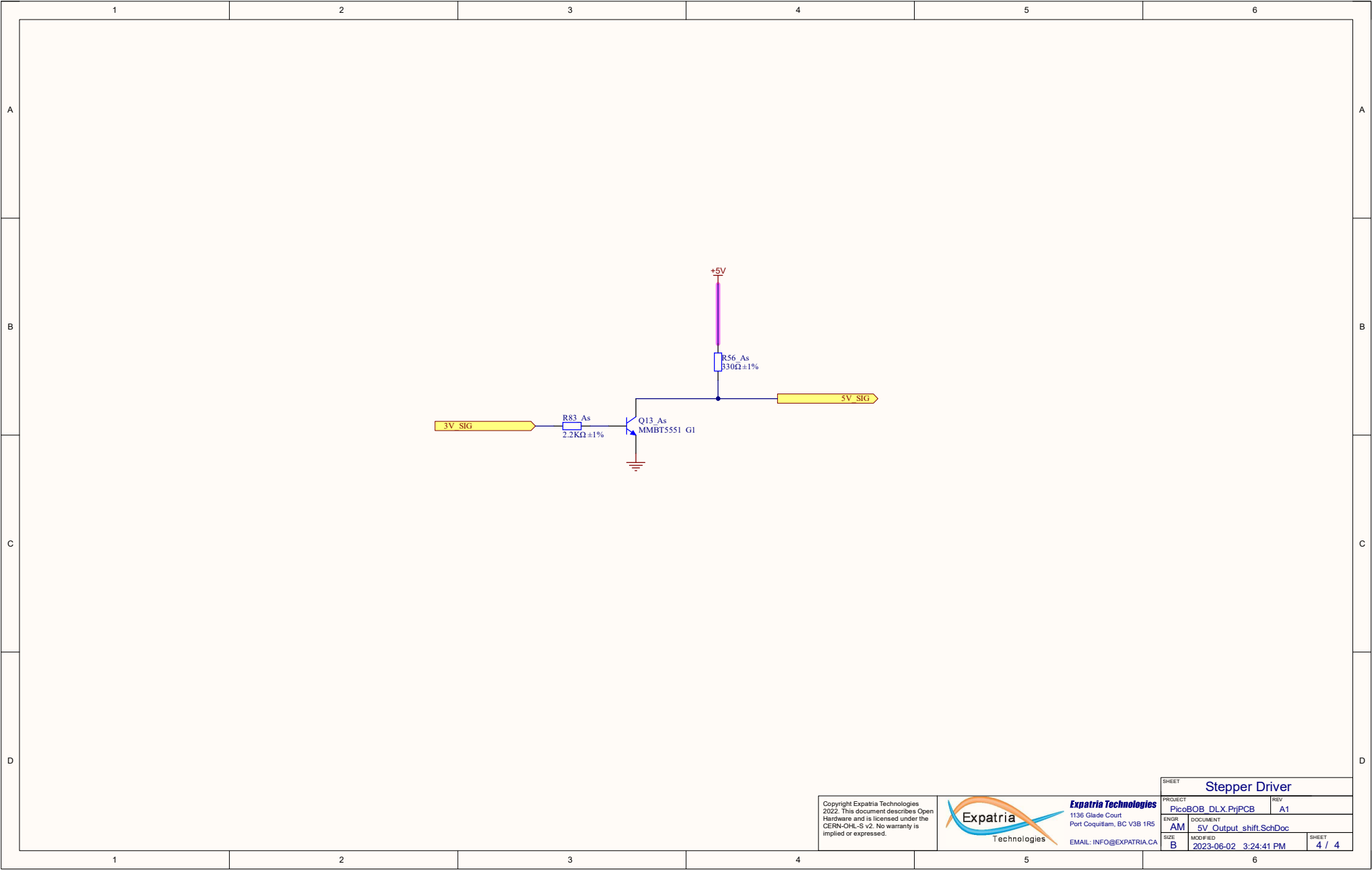


Copyright Expatia Technologies
 2022. This document describes Open
 Hardware and is licensed under the
 CERN-OHL-S v2. No warranty is
 implied or expressed.



Expatia Technologies
 1136 Glade Court
 Port Coquitlam, BC V3B 1R5
 EMAIL: INFO@EXPATRIA.CA

SHEET		Stepper Driver	
PROJECT	PicoBOB_DLX.PrjPCB	REV	A1
ENGR	AM	DOCUMENT	5V Output_shift.SchDoc
SIZE	B	MODIFIED	2023-06-02 3:24:41 PM
			SHEET
			4 / 4

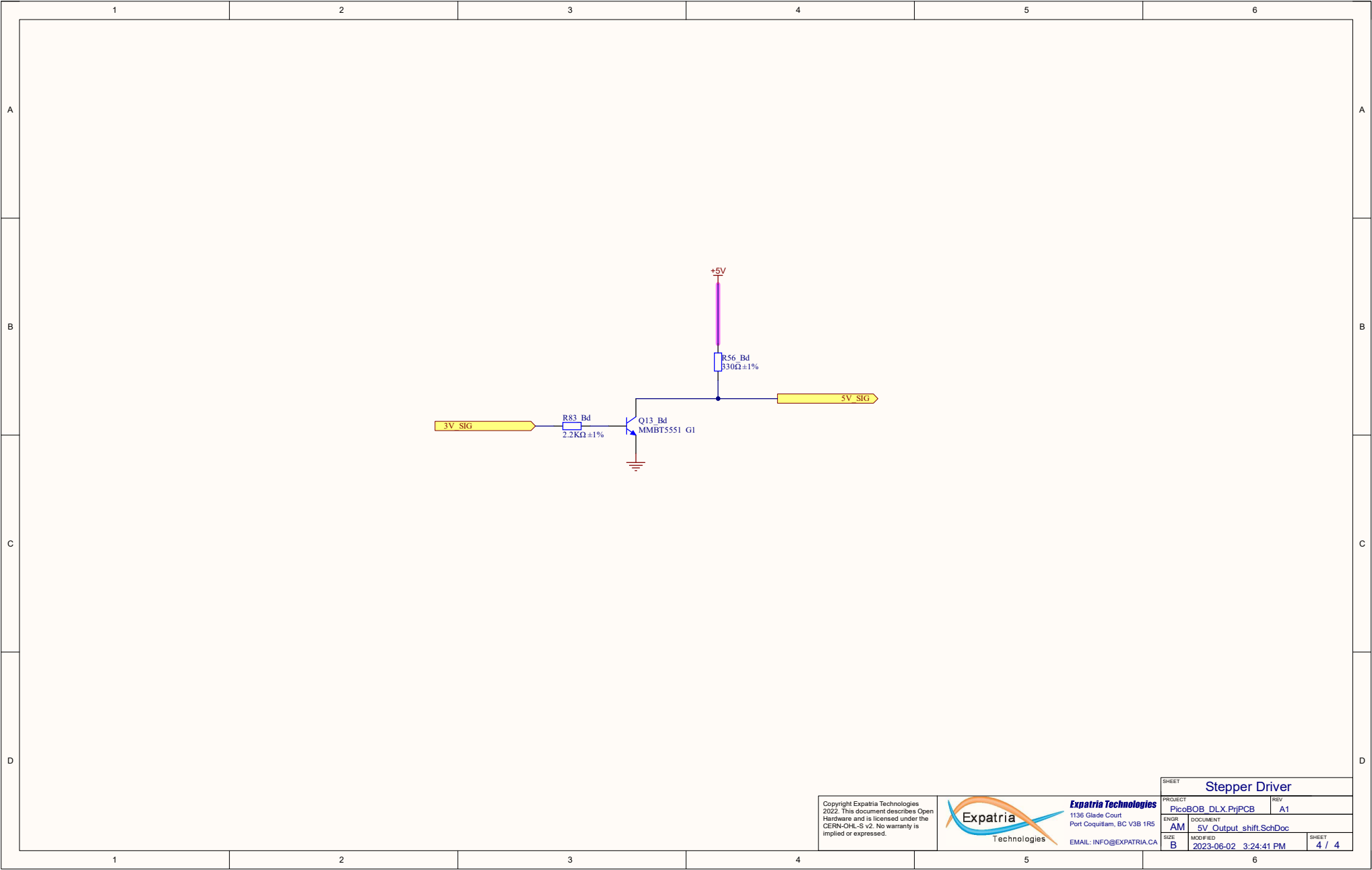


Copyright Expatia Technologies
 2022. This document describes Open
 Hardware and is licensed under the
 CERN-OHL-S v2. No warranty is
 implied or expressed.



Expatia Technologies
 1136 Glade Court
 Port Coquitlam, BC V3B 1R5
 EMAIL: INFO@EXPATRIA.CA

SHEET		Stepper Driver	
PROJECT	PicoBOB_DLX.PrjPCB	REV	A1
ENGR	AM	DOCUMENT	5V Output_shift.SchDoc
SIZE	B	MODIFIED	2023-06-02 3:24:41 PM
			SHEET
			4 / 4

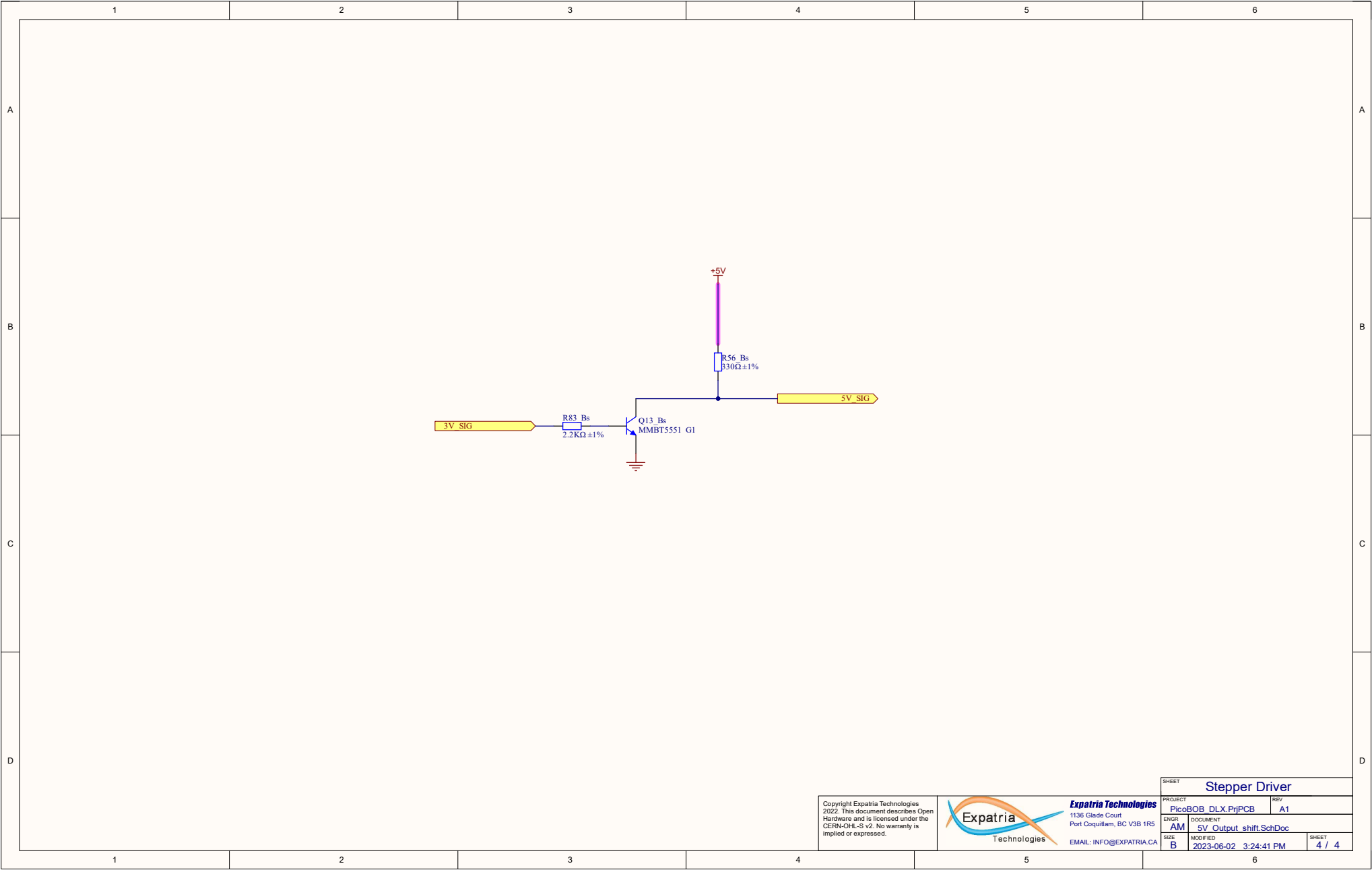


Copyright Expatia Technologies
 2022. This document describes Open
 Hardware and is licensed under the
 CERN-OHL-S v2. No warranty is
 implied or expressed.



Expatia Technologies
 1136 Glade Court
 Port Coquitlam, BC V3B 1R5
 EMAIL: INFO@EXPATRIA.CA

SHEET		Stepper Driver	
PROJECT	PicoBOB_DLX.PrjPCB	REV	A1
ENGR	AM	DOCUMENT	5V Output_shift.SchDoc
SIZE	B	MODIFIED	2023-06-02 3:24:41 PM
			SHEET
			4 / 4

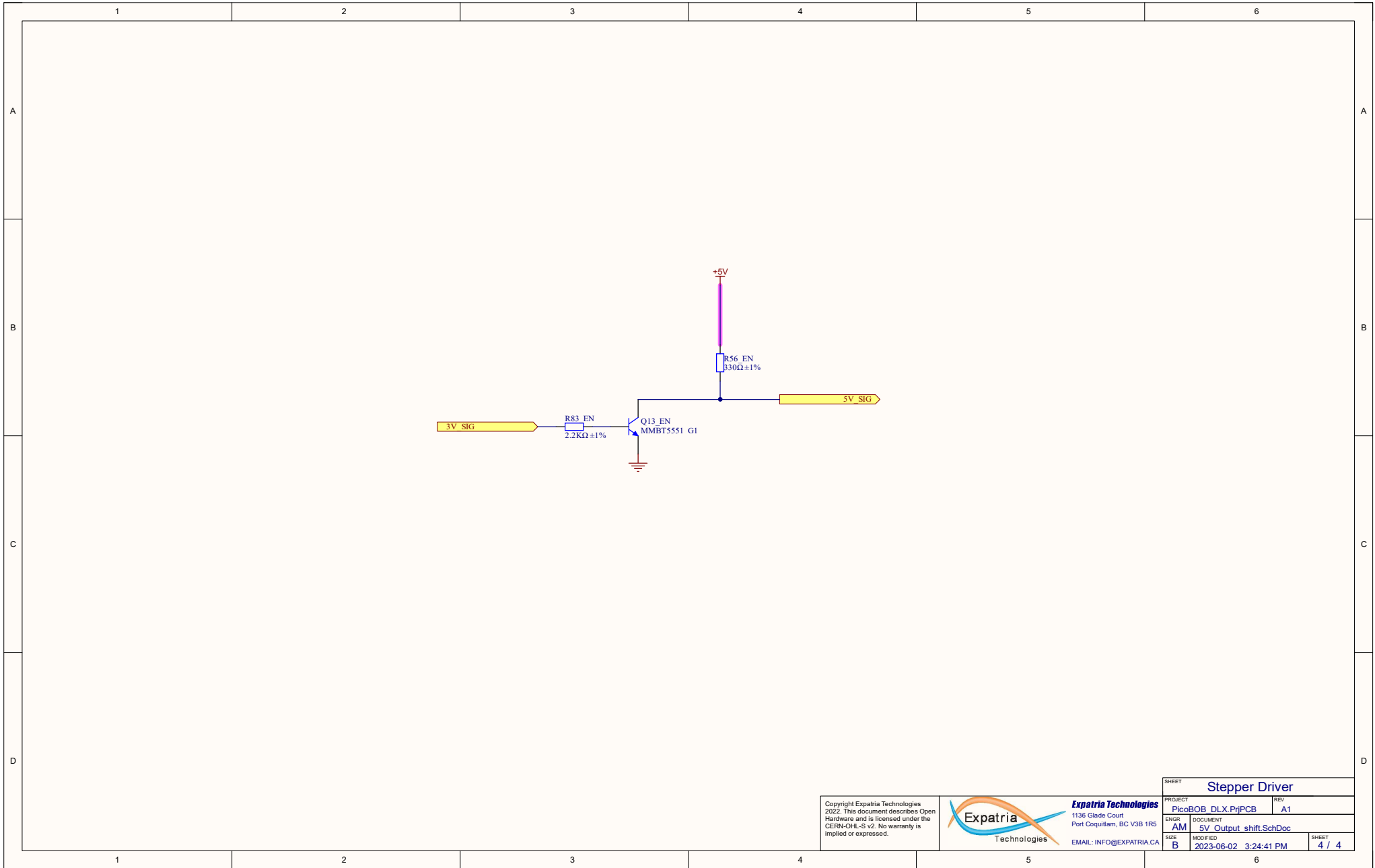


Copyright Expatia Technologies
 2022. This document describes Open
 Hardware and is licensed under the
 CERN-OHL-S v2. No warranty is
 implied or expressed.



Expatia Technologies
 1136 Glade Court
 Port Coquitlam, BC V3B 1R5
 EMAIL: INFO@EXPATRIA.CA

SHEET		Stepper Driver	
PROJECT	PicoBOB_DLX.PrjPCB	REV	A1
ENGR	AM	DOCUMENT	5V Output_shift.SchDoc
SIZE	B	MODIFIED	2023-06-02 3:24:41 PM
			SHEET
			4 / 4

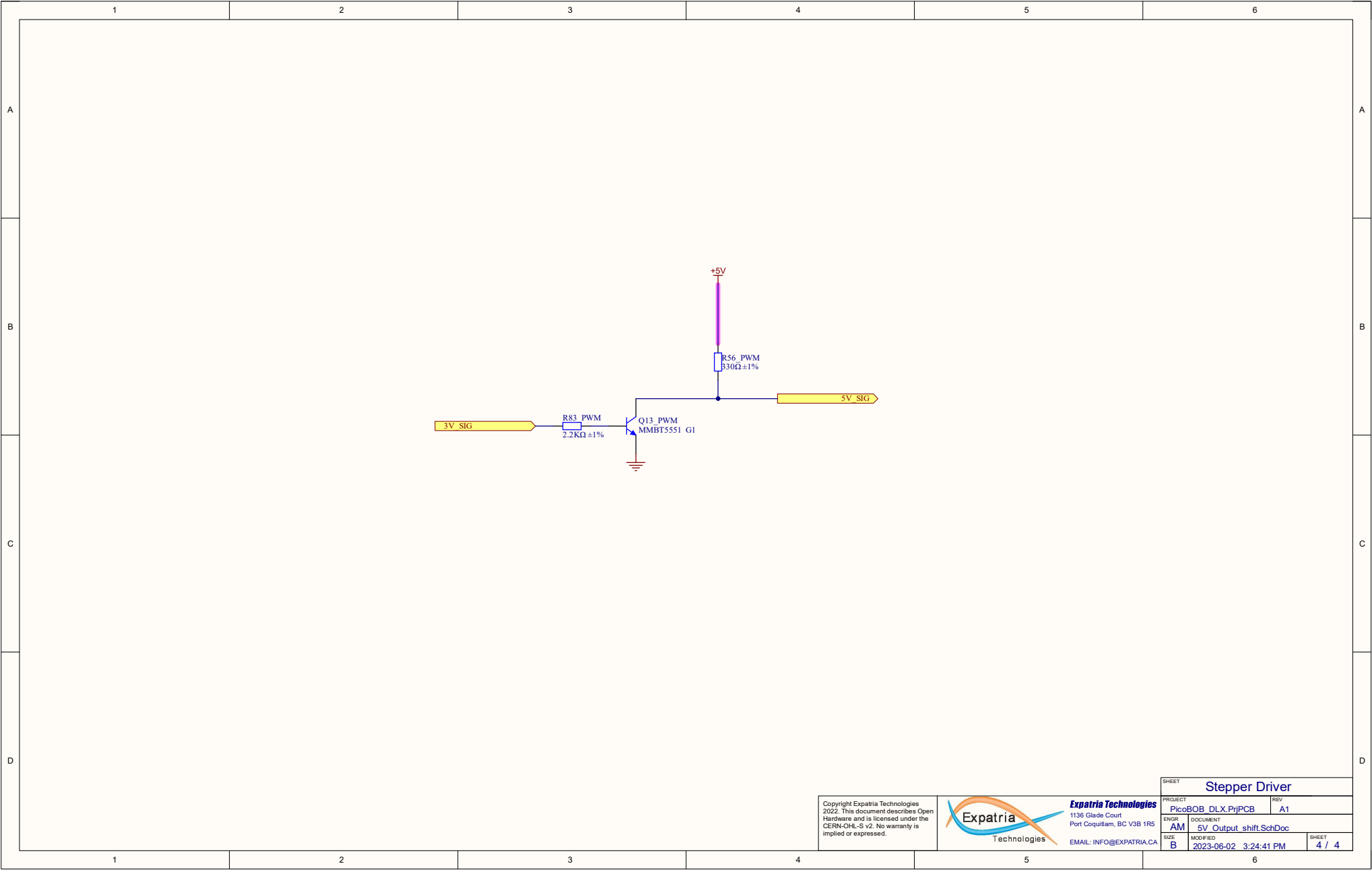


Copyright Expatia Technologies
 2022. This document describes Open
 Hardware and is licensed under the
 CERN-OHL-S v2. No warranty is
 implied or expressed.



Expatia Technologies
 1136 Glade Court
 Port Coquitlam, BC V3B 1R5
 EMAIL: INFO@EXPATRIA.CA

SHEET		Stepper Driver	
PROJECT	PicoBOB_DLX.PrjPCB	REV	A1
ENGR	AM	DOCUMENT	5V Output_shift.SchDoc
SIZE	B	MODIFIED	2023-06-02 3:24:41 PM
			SHEET
			4 / 4

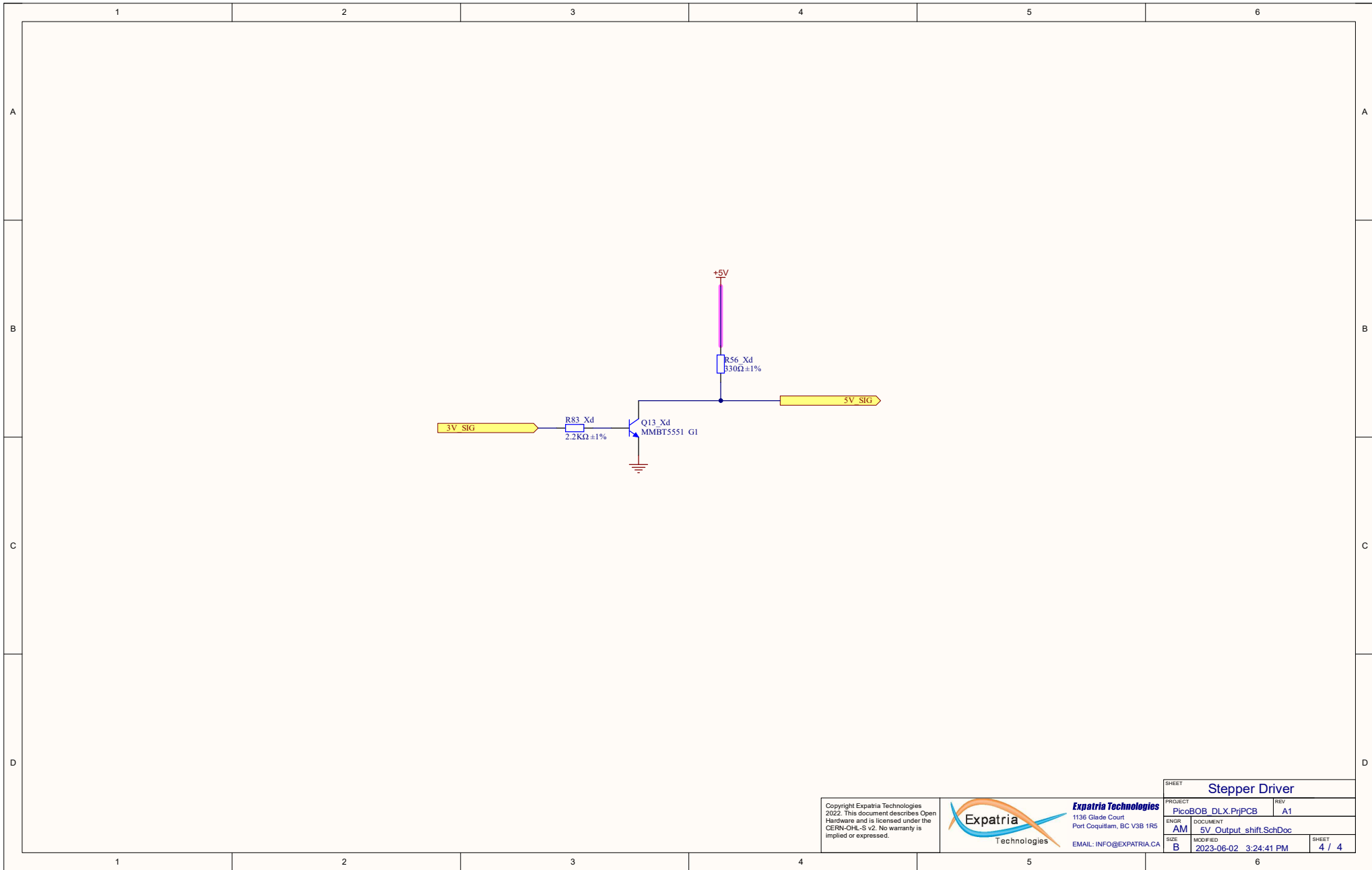


Copyright Expatia Technologies
 2022. This document describes Open
 Hardware and is licensed under the
 CERN-OHL-S v2. No warranty is
 implied or expressed.



Expatia Technologies
 1136 Glade Court
 Port Coquitlam, BC V3B 1R5
 EMAIL: INFO@EXPATRIA.CA

SHEET		Stepper Driver	
PROJECT	PicoBOB_DLX.PrjPCB	REV	A1
ENGR	AM	DOCUMENT	5V Output_shift.SchDoc
SIZE	B	MODIFIED	2023-06-02 3:24:41 PM
			SHEET
			4 / 4

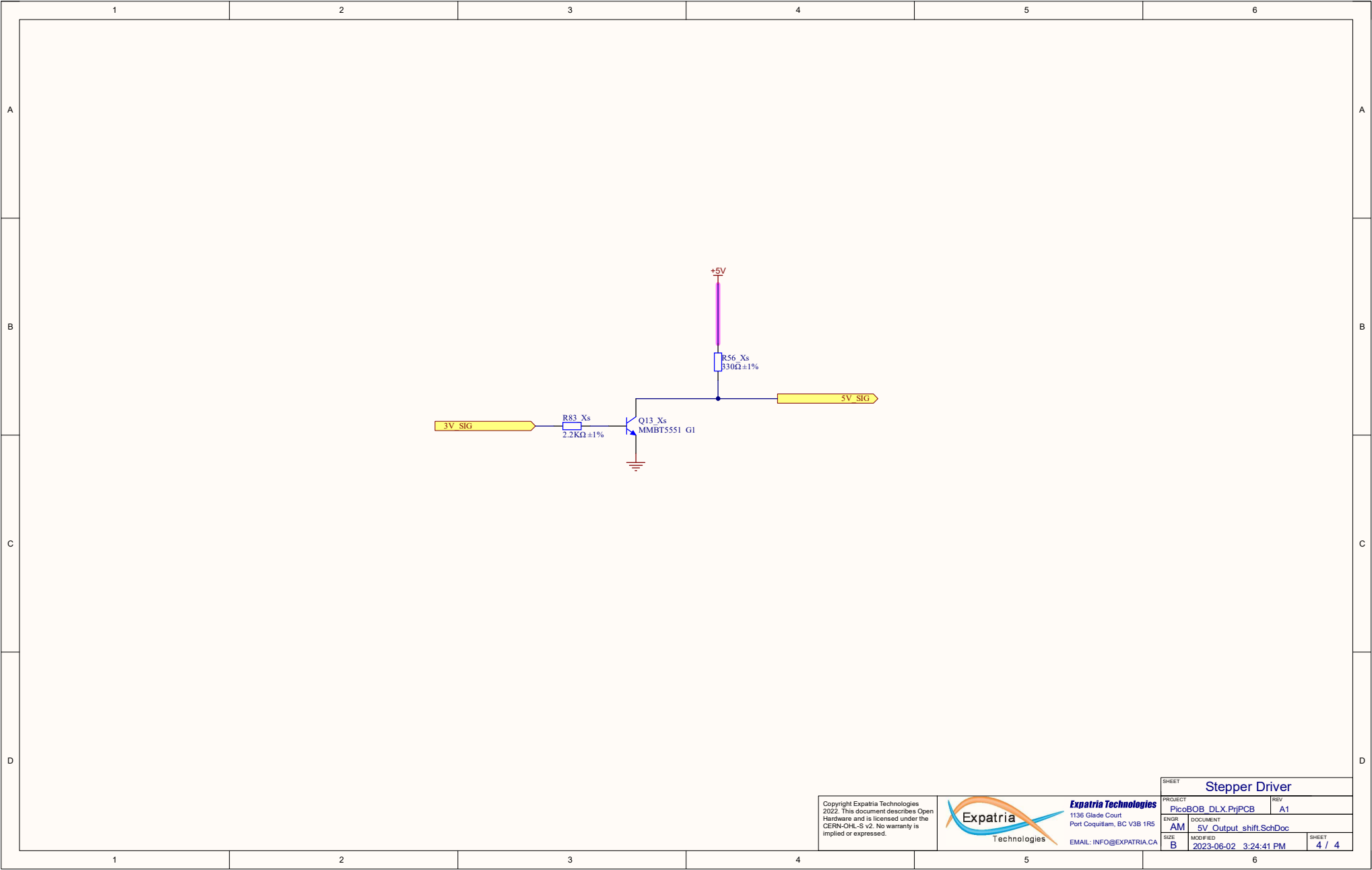


Copyright Expatia Technologies
 2022. This document describes Open
 Hardware and is licensed under the
 CERN-OHL-S v2. No warranty is
 implied or expressed.



Expatia Technologies
 1136 Glade Court
 Port Coquitlam, BC V3B 1R5
 EMAIL: INFO@EXPATRIA.CA

SHEET		Stepper Driver	
PROJECT	PicoBOB_DLX.PrjPCB	REV	A1
ENGR	AM	DOCUMENT	5V Output_shift.SchDoc
SIZE	B	MODIFIED	2023-06-02 3:24:41 PM
			SHEET
			4 / 4

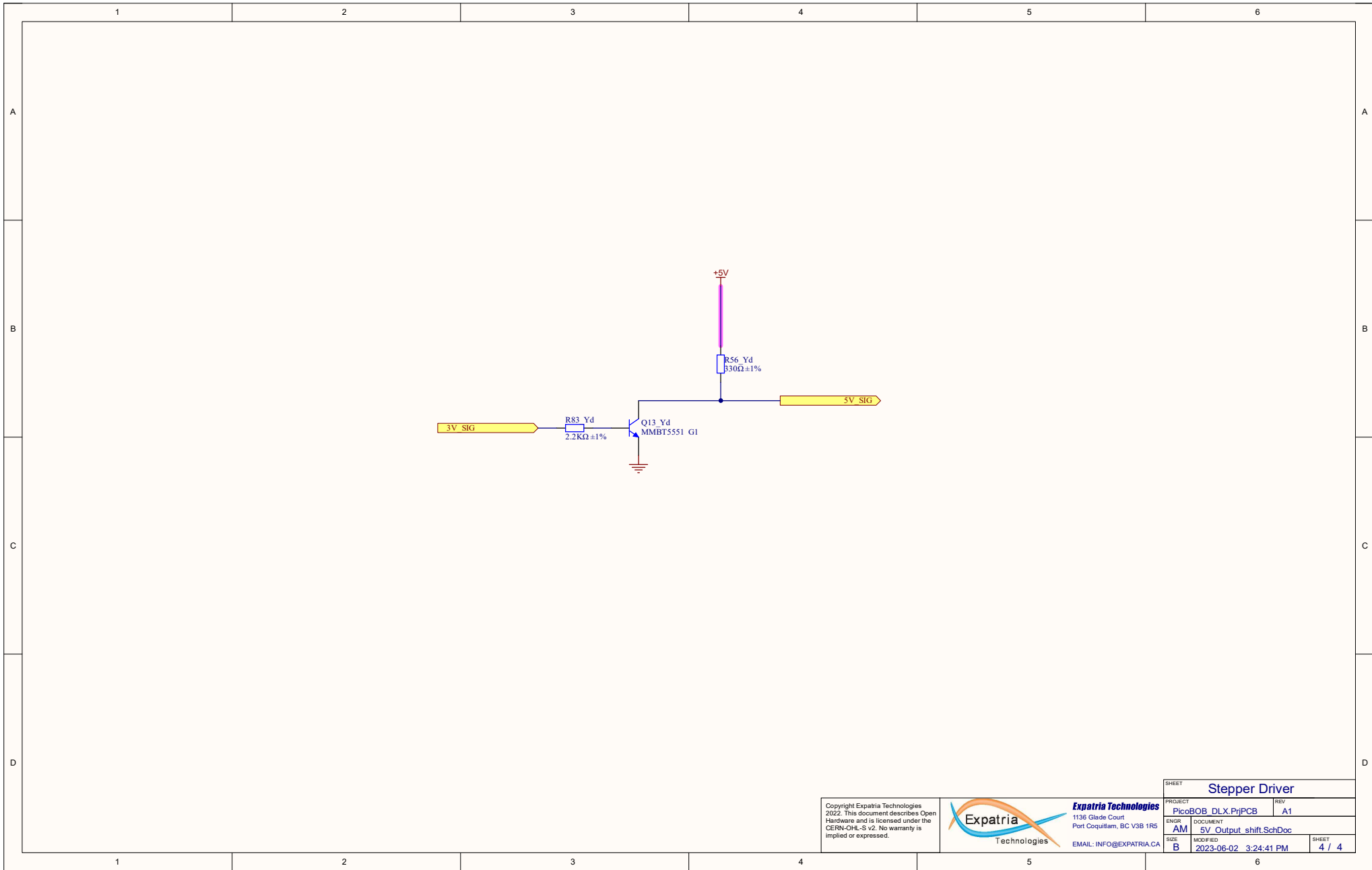


Copyright Expatia Technologies
 2022. This document describes Open
 Hardware and is licensed under the
 CERN-OHL-S v2. No warranty is
 implied or expressed.



Expatia Technologies
 1136 Glade Court
 Port Coquitlam, BC V3B 1R5
 EMAIL: INFO@EXPATRIA.CA

SHEET		Stepper Driver	
PROJECT	PicoBOB_DLX.PrjPCB	REV	A1
ENGR	AM	DOCUMENT	5V Output_shift.SchDoc
SIZE	B	MODIFIED	2023-06-02 3:24:41 PM
			SHEET
			4 / 4

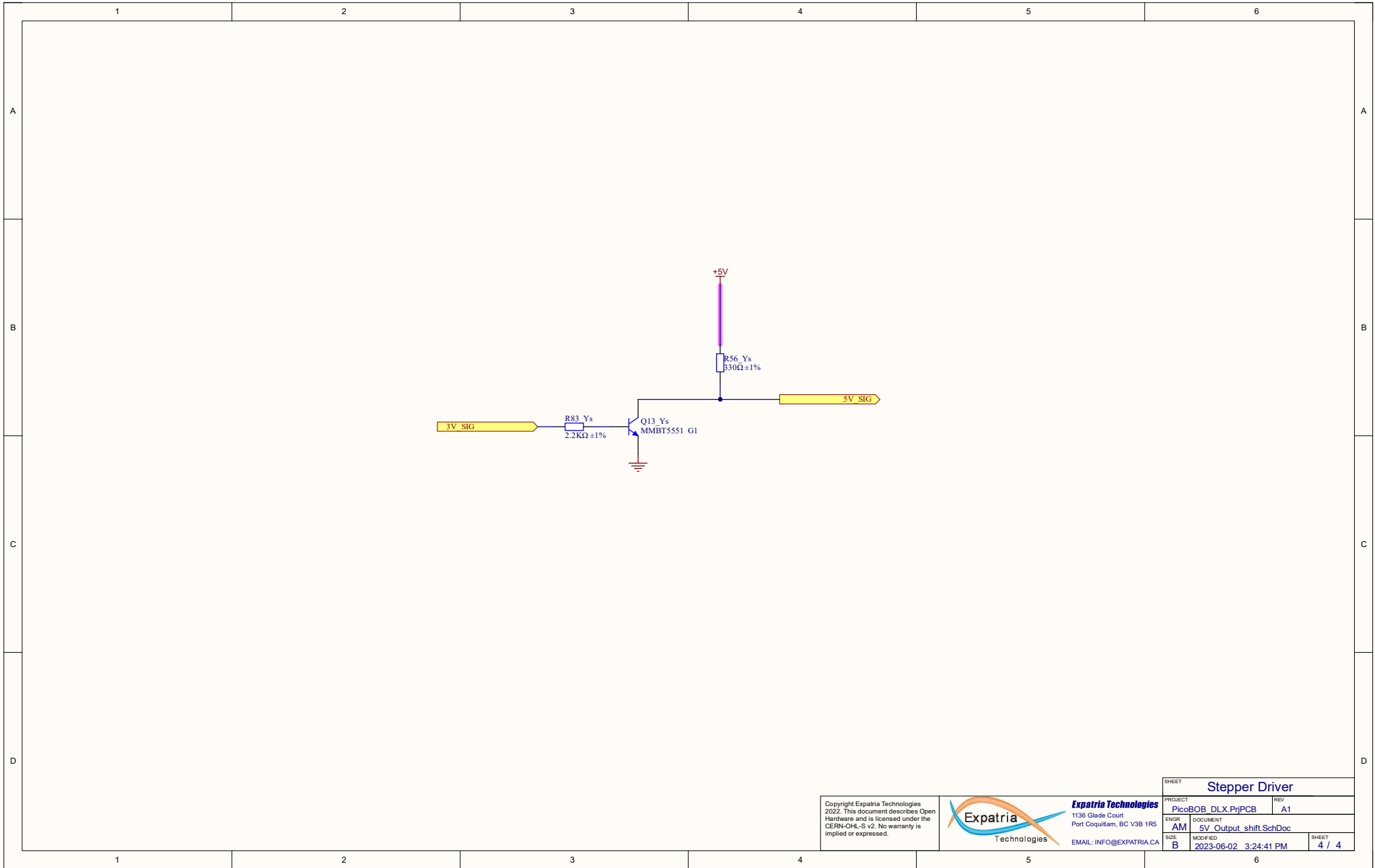


Copyright Expatia Technologies
 2022. This document describes Open
 Hardware and is licensed under the
 CERN-OHL-S v2. No warranty is
 implied or expressed.



Expatia Technologies
 1136 Glade Court
 Port Coquitlam, BC V3B 1R5
 EMAIL: INFO@EXPATRIA.CA

SHEET		Stepper Driver	
PROJECT	PicoBOB_DLX.PrjPCB	REV	A1
ENGR	AM	DOCUMENT	5V Output_shift.SchDoc
SIZE	B	MODIFIED	2023-06-02 3:24:41 PM
			SHEET
			4 / 4

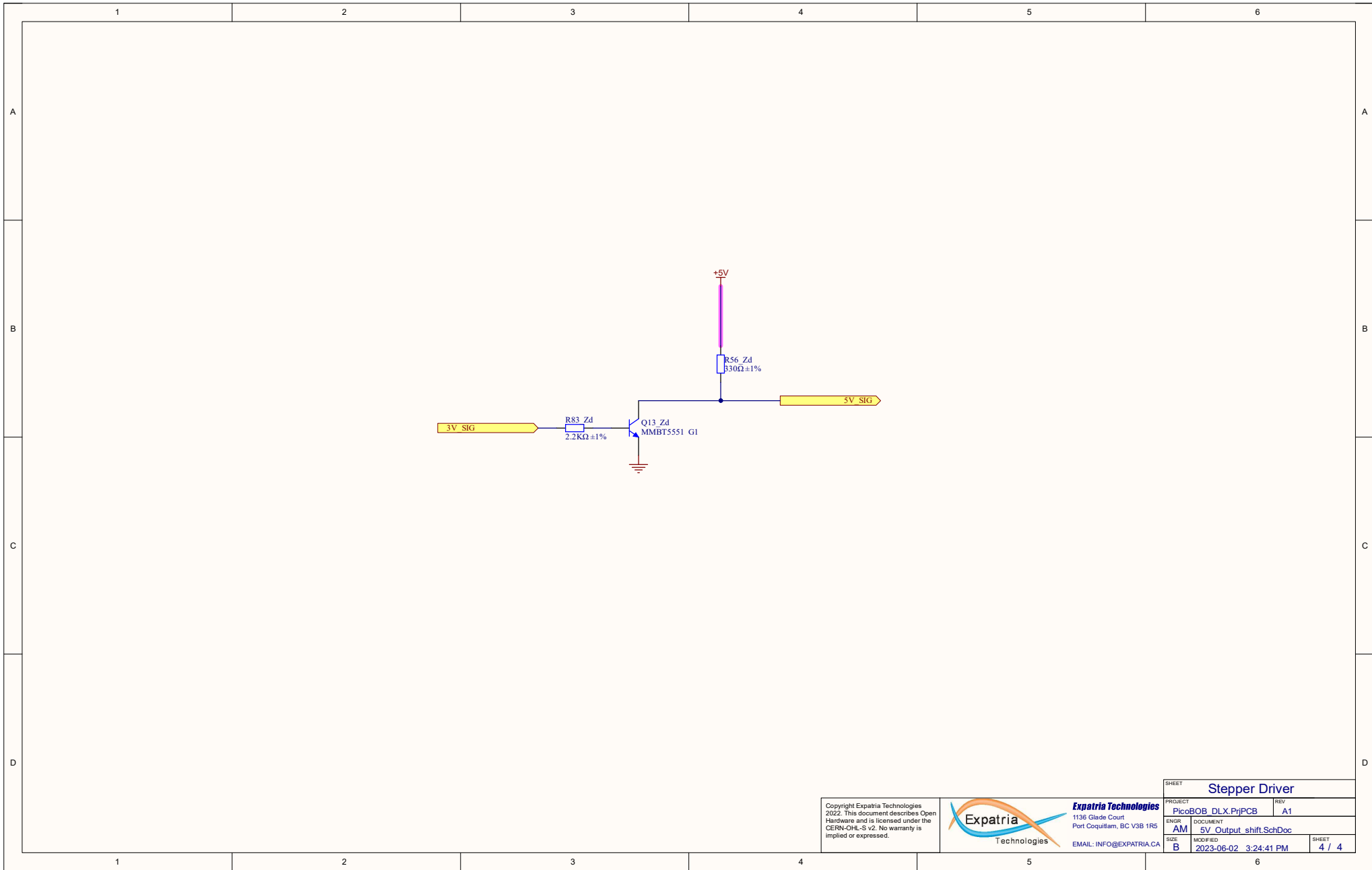


Copyright Expatia Technologies
 2022. This document describes Open
 Hardware and is licensed under the
 CERN-OHL-S v2. No warranty is
 implied or expressed.



Expatia Technologies
 1136 Glade Court
 Port Coquitlam, BC V3B 1R5
 EMAIL: INFO@EXPATRIA.CA

SHEET		Stepper Driver	
PROJECT	PicoBOB_DLX.PrjPCB	REV	A1
ENGR	AM	DOCUMENT	5V Output_shift.SchDoc
SIZE	B	MODIFIED	2023-06-02 3:24:41 PM
			SHEET
			4 / 4

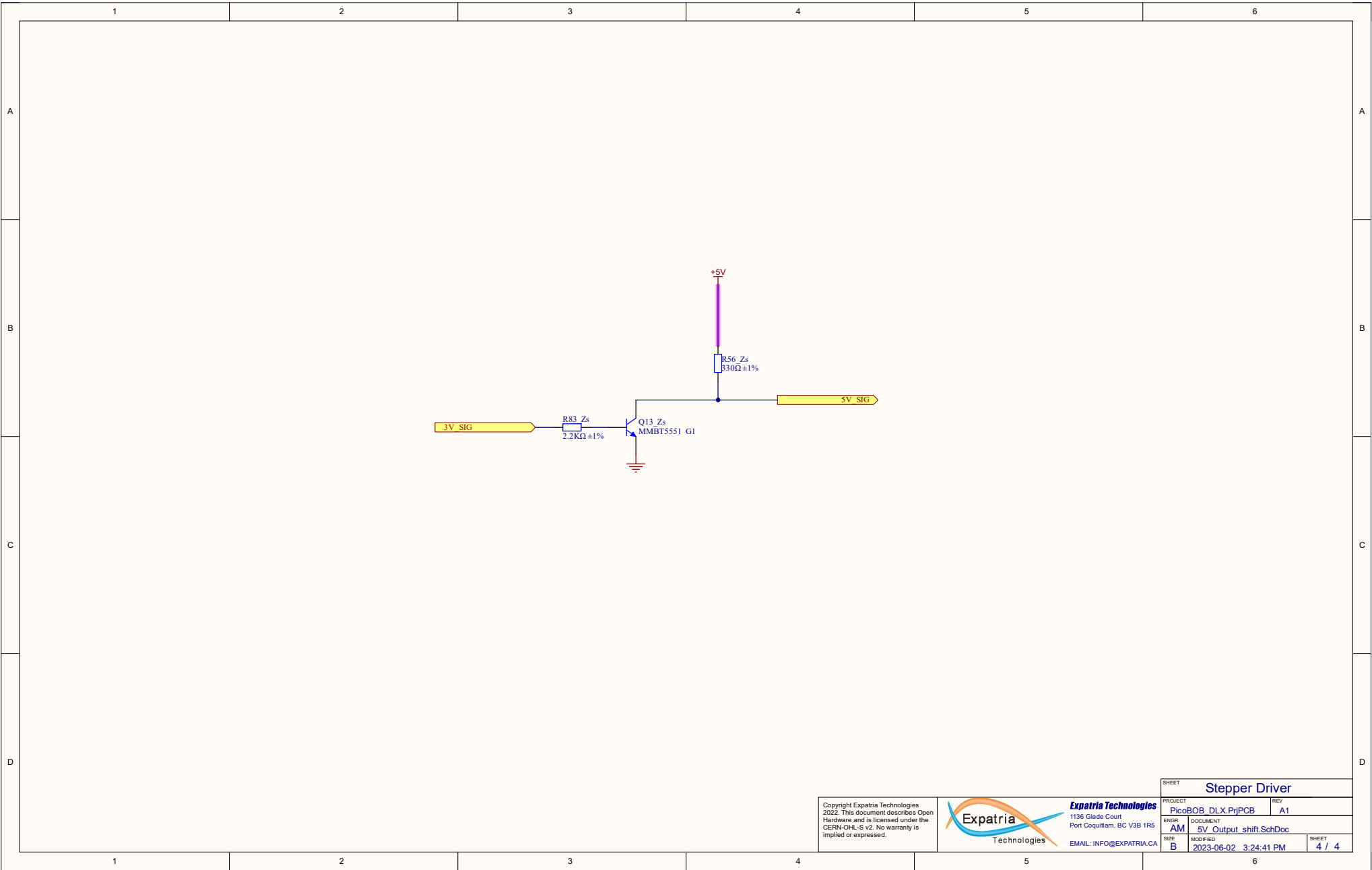


Copyright Expatia Technologies
 2022. This document describes Open
 Hardware and is licensed under the
 CERN-OHL-S v2. No warranty is
 implied or expressed.



Expatia Technologies
 1136 Glade Court
 Port Coquitlam, BC V3B 1R5
 EMAIL: INFO@EXPATRIA.CA

SHEET		Stepper Driver	
PROJECT	PicoBOB_DLX.PrjPCB	REV	A1
ENGR	AM	DOCUMENT	5V Output_shift.SchDoc
SIZE	B	MODIFIED	2023-06-02 3:24:41 PM
			SHEET
			4 / 4



Copyright Expatia Technologies
 2022. This document describes Open
 Hardware and is licensed under the
 CERN-OHL-S v2. No warranty is
 implied or expressed.



Expatia Technologies
 1136 Glade Court
 Port Coquitlam, BC V3B 1R5
 EMAIL: INFO@EXPATRIA.CA

SHEET		Stepper Driver	
PROJECT	PicoBOB_DLX.PrjPCB	REV	A1
ENGR	AM	DOCUMENT	5V Output_shift.SchDoc
SIZE	B	MODIFIED	2023-06-02 3:24:41 PM
			SHEET
			4 / 4