



**24-75 VDC,
400 ppr encoder,
NEMA 23
mounting**



Specifications

PARAMETER	UNITS	LA052-040E		LA052-080E		LA052-110E
RATED POWER	W	40		80		110
RATED VOLTAGE	VDC	24	75	24	75	75
RATED SPEED	rpm	3,000		3,000		3,000
RATED TORQUE	N-cm	12.7	2.7	25.5	25.5	35.3
	kgf-cm	1.3	1.3	2.6	2.6	3.6
RATED CURRENT	A	2.5	0.9	4.6	1.8	2.1
TORQUE CONSTANT	N-cm/A	5.0	14.8	5.9	19.1	19.6
	kgf-cm/A	0.51	1.51	0.6	1.95	2.00
BACK EMF CONSTANT	V/krpm	5.2	15.5	6.2	20.0	20.5
PHASE RESISTANCE	W	1.18	11.0	0.60	6.2	3.71
PHASE INDUCTANCE	mH	4.4	42	1.4	14	9.1
INSTANTANEOUS PEAK TORQUE	N-cm	38.2	38.2	76.5	76.5	105.9
	kgf-cm	3.9	3.9	7.8	7.8	10.8
MAX SPEED	rpm	5,000		5,000		5,000
ROTOR INERTIA	g-cm ²	87	87	91	91	166
(TYPE 2*)	g-cm ²	110	110	117	117	18
POWER RATE	kW/s	1.87	1.87	7.14	7.14	8.48
(TYPE 2*)	kW/s	1.48	1.48	5.56	5.56	6.74
MECHANICAL TIME CONSTANT	ms	4.1	4.4	4.6	1.5	1.6
(TYPE 2*)	ms	5.2	5.5	2.0	2.0	1.8
ELECTRICAL TIME CONSTANT	ms	3.7	3.8	2.3	2.3	2.5
MASS	k g	0.6	0.6	0.6	0.6	0.8

The above values are measured with Aluminum Plate of 200 x 200 x 6 mm. * See Encoder Specification below

RoHS compliant

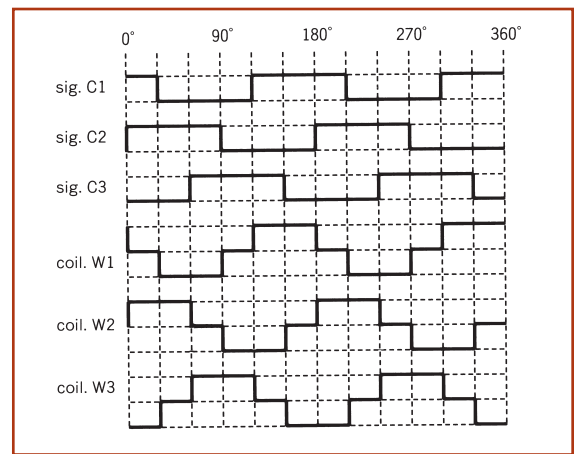
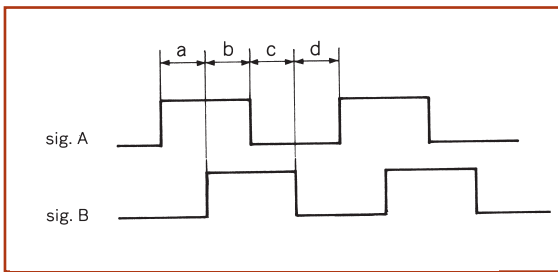
Encoder Specifications

TYPE	UNITS	TYPE 2	HALL SENSOR	ENCODER
OUTPUT CIRCUIT		OPEN COLLECTOR		TTL COMPATIBLE
RESOLUTION	P/R	-		200, 400
NUMBER OF CHANNELS	-	C1, C2, C3		A, B
POWER SUPPLY	VDC	5 ± 5%		5 ± 5%
CONSUMPTION CURRENT	mA (max.)	40		50
OUTPUT VOLTAGE	VDC	14.4 (max.), (I _{sink} = 15 mA)		VOH = 2.4 (min.), VOL = 0.4 (max.), (I _{sink} = 15 mA)
PHASE OFFSET	-	-		a, b, c, d = 90° ± 45°
SIG. Z PULSE WIDTH	-	-		-
FREQUENCY RESPONSE	kHz (min.)	-		20
OPERATING TEMPERATURE RANGE	° C	0 ~ 60 (temperature inside of encoder)		

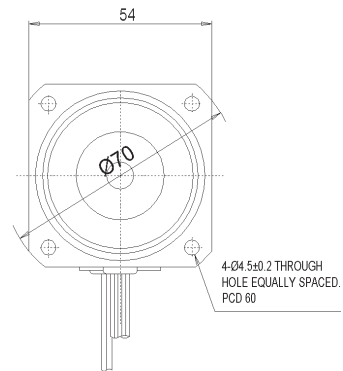
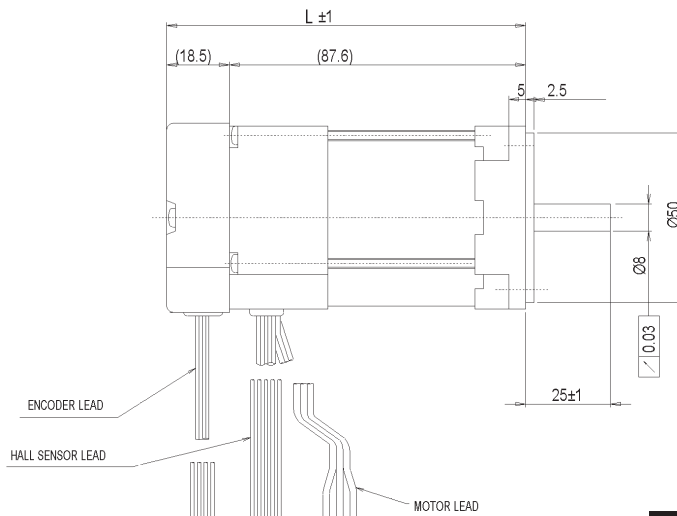
Servo Motor Series LA052

NEMA 23

**24-75 VDC,
400 ppr encoder,
NEMA 23
mounting**



CW Rotation viewed from Output Shaft End
Encoder Output Phase



Available in NEMA-23 Mounting

Motor Length

Motor Type	Type 2
LA052-040E	86.1
LA052-080E	86.1
LA052-110E	106.1

RoHS compliant

